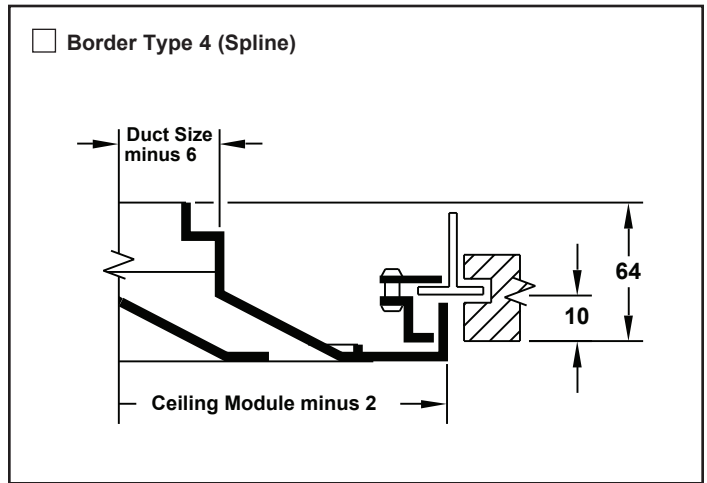
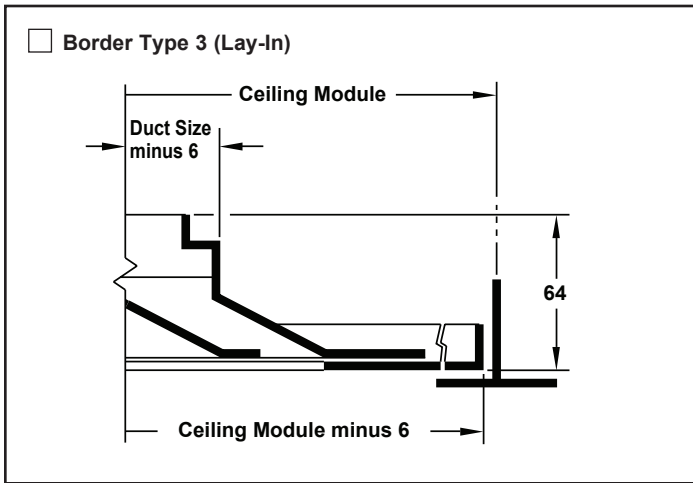
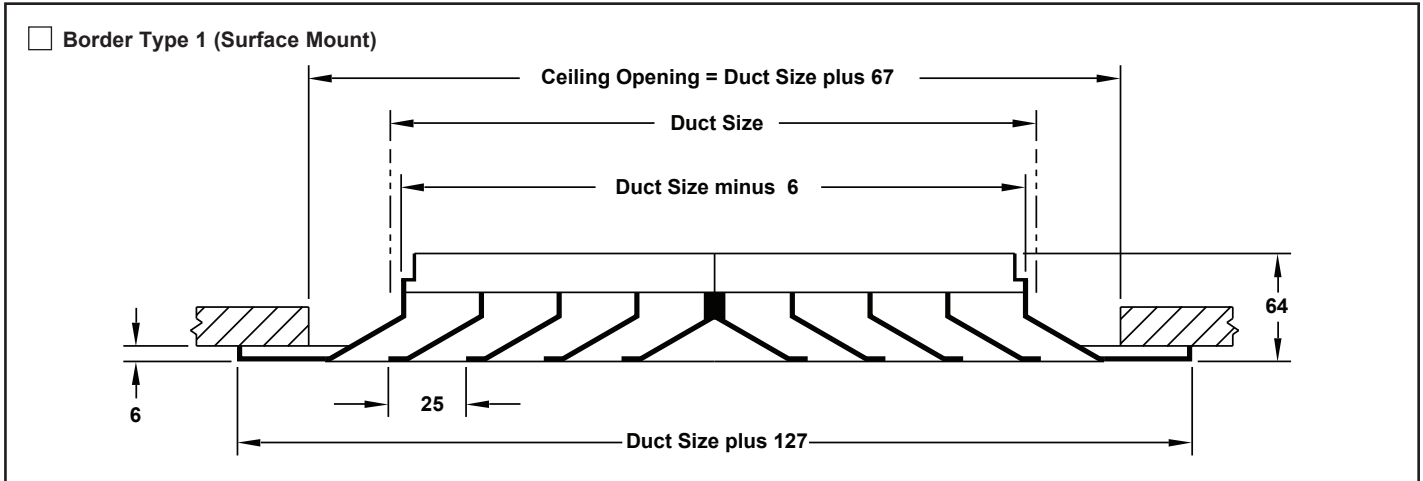


Square Ceiling Diffusers

Steel • Modular Core

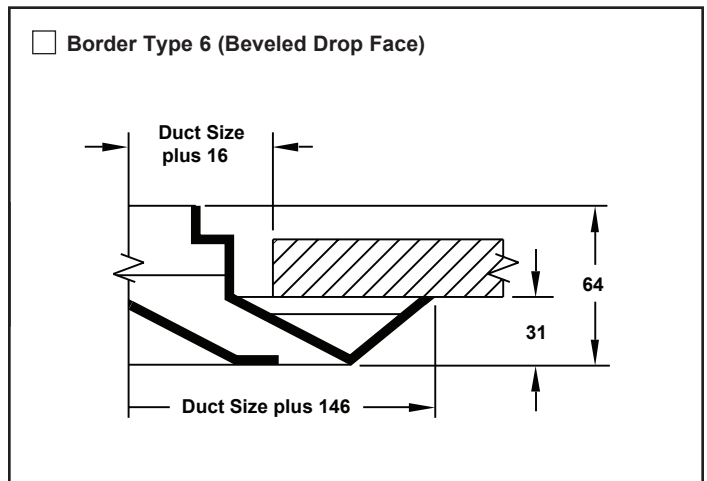
Model: MMCD • 1, 2, 3 or 4 Way Adjustable Discharge Pattern



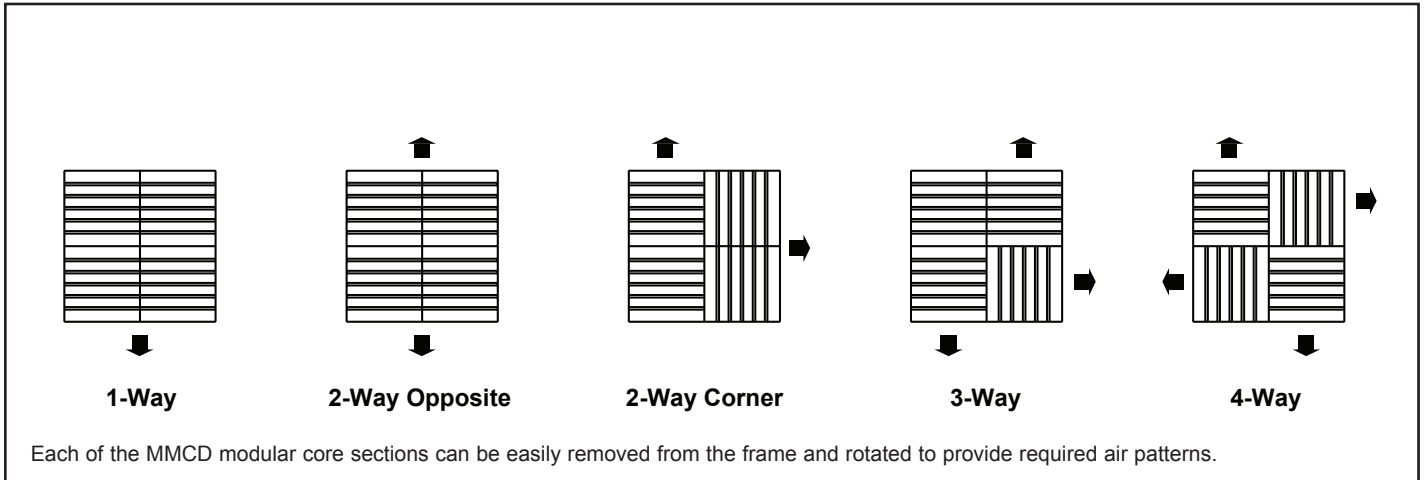
Available Duct Sizes

Border Type 1, 6		Border Type 3, 4	
Duct Size		Available Module Size	Duct Size
152 x 152	508 x 508	610 x 610	152 x 152 406 x 406
203 x 203	559 x 559		203 x 203 457 x 457
254 x 254	610 x 610		254 x 254
305 x 305			305 x 305
356 x 356			356 x 356
381 x 381			381 x 381
406 x 406			
457 x 457			

Note: All units have 4 individually adjustable cores.

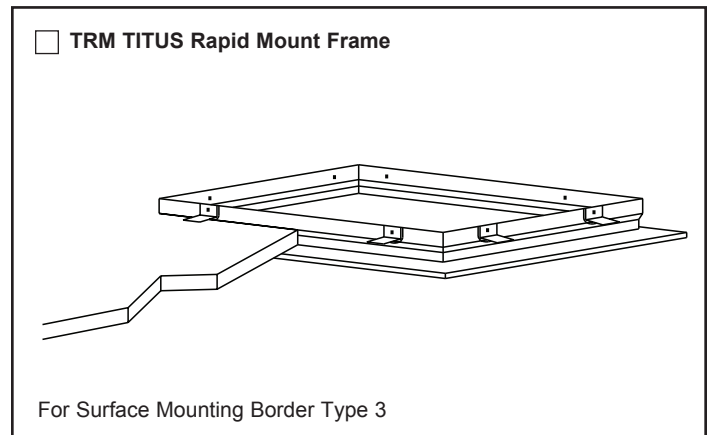
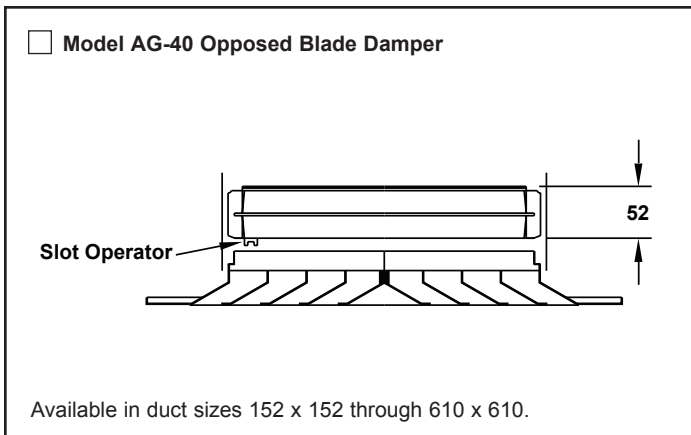


Modular Core Adjustments



Accessories (Optional)

Check if provided



Standard Finish: #26 White

General Description

- The Model MMCD modular core diffuser is an extremely flexible diffuser. The model MMCD can be adjusted for 1, 2, 3 or 4-way air patterns after being installed.
- Model MMCD diffuser maintains a horizontal flow pattern from maximum to minimum CFM making it an excellent choice for variable air volume applications.
- Optional MAG-40 opposed blade damper is accessible from the face by removing a modular core.
- MMCD is shipped with the modular cores set for 4-way throw.
- Material is steel.



Note: This submittal is meant to demonstrate general dimensions of this product. The drawing on this submittal are not meant to detail every aspect of the product with exactness. Drawings are not to scale. TITUS reserves the right to make changes without written notice.

605 Shiloh Road • Plano, Texas 75074 • 972-212-4800

MD-32.0-S