

Eggcrate Return Grilles and Registers Aluminum Grid • Aluminum Border

- Models: M50F • Code A • Aluminum Grid • 13mm x 13mm x 13mm • Aluminum Border
 M50F • Code B • Aluminum Grid • 13mm x 13mm x 25mm • Aluminum Border
 M50F • Code C • Aluminum Grid • 25mm x 25mm x 25mm • Aluminum Border

Border Type 1 (Surface Mount)

Check One <input checked="" type="checkbox"/>	<input type="checkbox"/>	<input type="checkbox"/>	<input type="checkbox"/>
Dimension	13 x 13 x 13	13 x 13 x 25	25 x 25 x 25
J	32	32	32
K	64	75	75

Available Sizes (Dmm x Dmm)
 152 x 102 through 1219 x 1219 in one piece construction. Sizes larger than 1219 x 1219 are shipped in multiple sections. Odd and fractional sizes are available at additional cost. Wall or duct opening should be duct size ± 3 . All dimensions are in millimeters.

Fasteners

Type A • External Screw Type C • Concealed Screw

Available with Border Type 1 only. Type 'C' fastening not available on unit with damper.

PFA • Aluminum Plaster Frame

Recessed Mounted Example
 Plaster frame can be installed as either surface mount or recessed. Note: Dimensions are in millimeters. Wall or duct opening should be duct sizes + 3.

Accessories (Optional) if provided

- Neck mounted opposed blade damper (galvanized steel) DS • Debris Screen (6mm square mesh – galvanized steel)
 IS • Insect Screen (2mm square mesh – galvanized steel) EQT • Earthquake tabs
 Other _____

Standard Finish: #26 White

Optional finish _____

General Description

- #8 x 32mm lg. Phillips flat head sheet metal screws painted white.
- Insect and debris screens are not available when dampers are fitted.

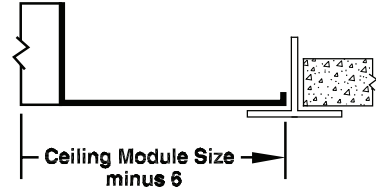
- Optional opposed blade damper has screw-driver adjustment accessible through face of register.

- Material: Aluminum.
- All dimensions are ± 2 mm.

(Please see reverse side)

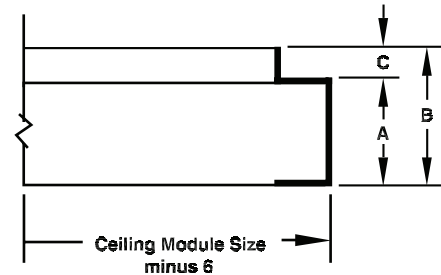
Border Types Available Check if provided.

Border Type 3 (Lay-in) Panel Mounted



Available in all standard module sizes with neck sizes up to module size minus 51mm.

Border Type 7 (Channel)



Available in sizes up to 1219 x 1219.

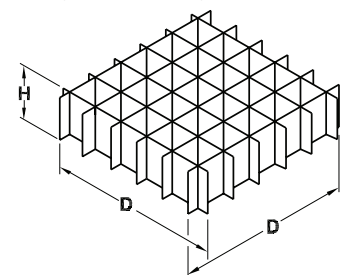
Border Type 3

• Accessories & Options
Check if provided

- Neck mounted opposed blade damper (galvanized steel)
- IS • Insect Screen (2mm square mesh – galvanized steel)
- DS • Debris Screen (6mm square mesh – galvanized steel)
- EQT • Earthquake tabs
- Other _____

Standard Finish: #26 White

Border Type 8 (Core only)



Available in sizes up to 1219 x 1219.

Border Type 7

• Accessories & Options
Check if provided

- EQT • Earthquake tabs
- Other _____

Standard Finish: #26 White

Border Type 8

• Accessories & Options
Check if provided

- EQT • Earthquake tabs
- Other _____

Standard Finish: #26 White



Note: This submittal is meant to demonstrate general dimensions of this product. The drawings on this submittal are not meant to detail every aspect of the product with exactness. Drawings are not to scale. TITUS reserves the right to make changes without written notice.
605 Shiloh Road • Plano, Texas 75074 • 972-212-4800

MSPG-3.0-S