

Redefine your comfort zone.™ | [www.titus-hvac.com](http://www.titus-hvac.com)



## grd accessories



duct accessories



baffle



mounting frames



air balancing



energy solutions



# K

**GRILLE & DIFFUSER ACCESSORIES**

GRD Accessories ..... K3

**OVERVIEW**

Overview ..... K6

**AIR BALANCING DEVICES**

Round Dampers ..... K7  
 AG-100, D-100 (Sliding Blade)..... K7  
 AG-75 (Opposed Blade)..... K8  
 D-75 (Opposed Blade) ..... K9  
 AG-85 (Butterfly)..... K10  
 Square and Rectangular Dampers ..... K11  
 AG-15, AG-15-AA, AG-15-SS (Opposed Blade)..... K11  
 AG-15-HD (Opposed Blade) ..... K12  
 AG-35, AG-35-AA, AG-35B, AG-35B-AA (Opposed Blade) ..... K13  
 AGR-35-AAS (Opposed Blade, Remote Cable Operated)..... K14  
 AG-95, AG-95-AA (Opposed Blade) ..... K15  
 AG-125 (Double Blade)..... K16  
 Damper with Grid ..... K17  
 AG-65 ..... K17  
 AG-65-S, AG-65-L..... K18  
 Equalizing Grid ..... K19  
 EG ..... K19  
 EG-S, EG-L..... K20  
 Volume Extractors ..... K21  
 AG-45, AG-225 ..... K21

**MOUNTING FRAMES**

Rapid Mount..... K23  
 TRM, TRM-S..... K23  
 TDRM ..... K24  
 Plaster Frames ..... K25  
 PF, PFA, PF-SS..... K25

**SECTORIZING BAFFLE**

SB ..... K26

**DUCT ACCESSORIES**

FlexRight ..... K27  
 FlexaBoot..... K28

**ICONS**

Icons Key ..... K30

PAGES: K7-K22

air balancing devices

			
AG-100	D-100	AG-75	D-75
			
AG-85	AG-15 (-AA, -SS)	AG-15-HD	AG-35 (-AA, -35B, -35B-AA)
			
AGR-35-AAS	AG-95 (-AA)	AG-125	AG-65 (-S, -L)
			
EG (-S, -L)	AG-45	AG-225	

**AIR BALANCING DEVICES**

- Designed for quick access and easy adjustment
- Steel, aluminum or stainless steel material
- Engineered to minimize noise, turbulence and resistance

PAGES: K23-K25

## mounting frames


**PF (-A,-SS)**
**PLASTER FRAMES**

- Can be installed as either surface mount or recessed
- Steel, aluminum or stainless steel construction


**TRM, (-S)**
**RAPID MOUNT**

- For use in plaster and sheet rock ceilings
- Lay-in style plaster frame that makes installation of GRD products simple and easy
- Extruded aluminum or steel construction
- Available in custom sizes

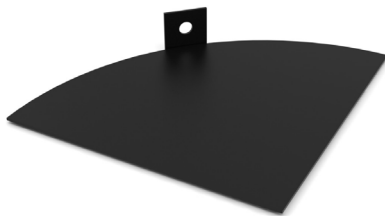

**TDRM**
**RAPID MOUNT**

- For use in plaster and sheet rock ceilings
- Works with all Titus 24" x 24" lay-in type diffusers to a 30" x 30" lay-in module
- Aluminum construction

K

PAGE: K26

## sectorizing baffle


**SB**
**SPECIAL APPLICATIONS**

- Used to baffle one or more quadrants of the diffuser inlet to achieve a desired air pattern
- Steel construction

PAGES: K27-K28



**FlexRight**

**FLEX DUCT INSTALLATIONS**

- Designed to form flexible duct into highly efficient 90° elbow
- Improves airflow and saves energy by eliminating kinks and restrictions
- Works in retrofitting applications or new building construction
- Universal design fits flexible duct sizes - 4" to 16"

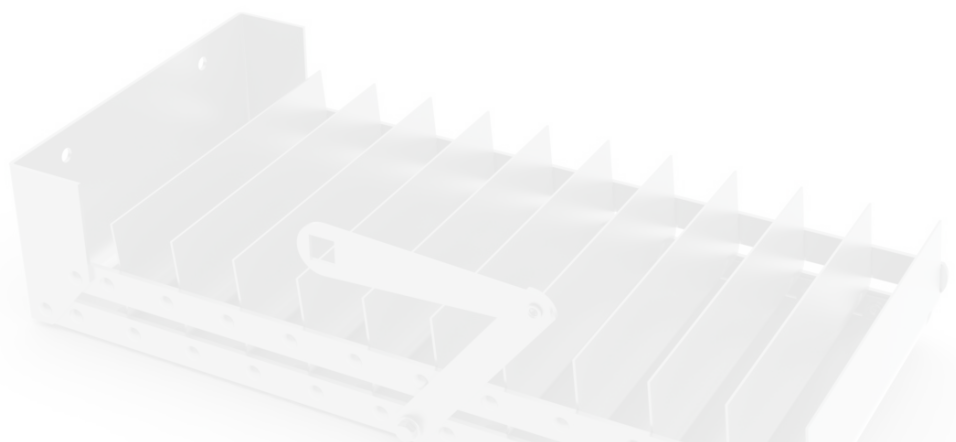
duct accessories



**FlexaBoot**

**RETURN AIR APPLICATIONS**

- An acoustical return sound boot that eliminates sound transfer in open plenum ceilings
- Available in two flex duct diameters - 10" & 16"



Effective air balancing begins with the balancing provisions that are designed into the HVAC system and Titus offers a complete line of GRD accessories to meet these requirements. Titus air balancing devices are available in several nominal sizes and can be mounted directly to the diffuser inlet or duct mounted. They feature high quality, precision construction and can be ordered as accessories with the diffuser or grille, or as stand alone units.

- Easy to select and specify
- Designed for quick access and adjustment
- Accurate, smooth and predictable in their response to adjustment
- Engineered for the least possible noise, turbulence and air resistance

Mounting and installation accessories provide solutions to enable the installation process to be faster and solve potential challenges should they arise.

- Designed to compliment aesthetics
- Provide transitions between rough-in and finish out
- Enhance performance



## AG-100 / D-100

- Gang operated radial blades slide, each blade over the next, at right angles to the airflow
- Model AG-100 is separately mounted in the duct, just above the diffuser. Adjusts with a screwdriver from the face side of the diffuser.
- Model D-100 is the same as AG-100, but without the mounting ring. Mounts directly on the diffuser neck, flush with the top. Useful in flex duct or where height is limited.
- Galvanized steel material



AG-100



D-100



air balancing

### MODELS:

AG-100  
D-100

### FINISH:

Standard Finish - #04 Mill

### OVERVIEW

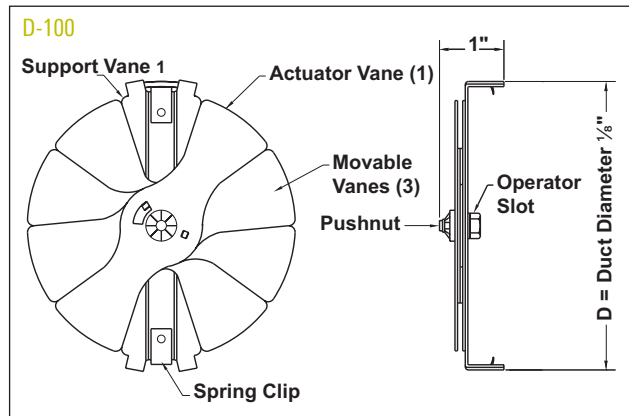
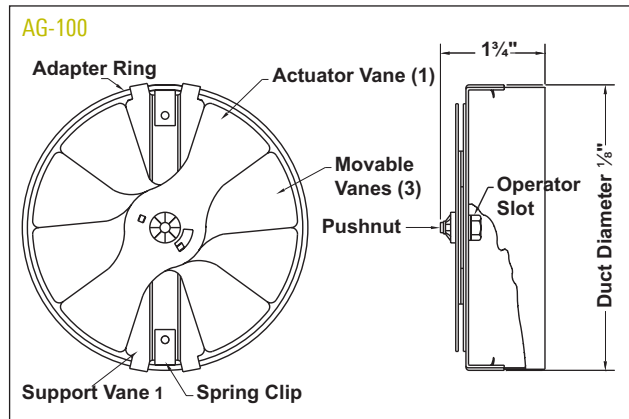
#### Round Dampers (Sliding Doors)

Effective air balancing begins with the balancing provisions that are designed into the HVAC system. Titus balancing devices are easy to select and specify. They are designed for quick access and adjustment and are engineered for the least possible noise, turbulence and air resistance. Titus makes available published flow factors for all Titus diffusers. This allows precision balancing to be performed in the field with accuracy based on prior test results.

Note: For 6", 8", 10", 12" and 14" Round Necks



See website for Specifications



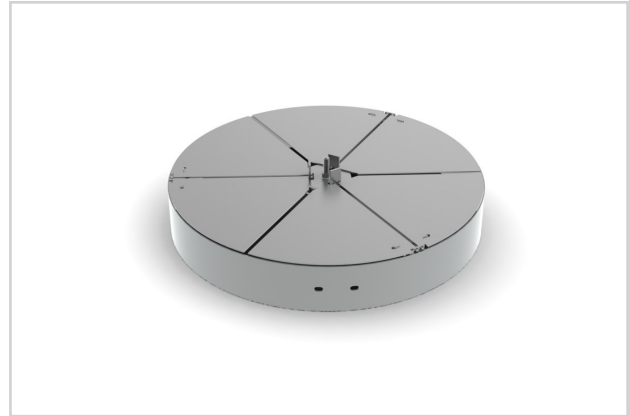
K

AG-100 / D-100



## AG-75

- Gang operated opposed blades (three sets on sizes 6 through 12 inches, four sets on 14 through 20 inches and six sets on 24 through 36 inches). Can be mounted directly into hard duct above diffuser neck. The damper can be easily adjusted from the face side of the diffuser.
- Not recommended for use with flexible duct
- Steel material



AG-75



air balancing



See website for Specifications

### MODEL:

AG-75

### FINISH:

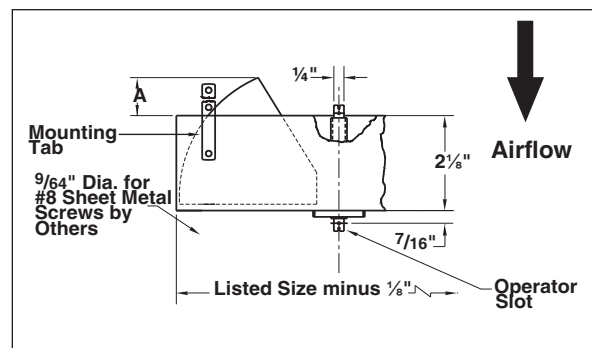
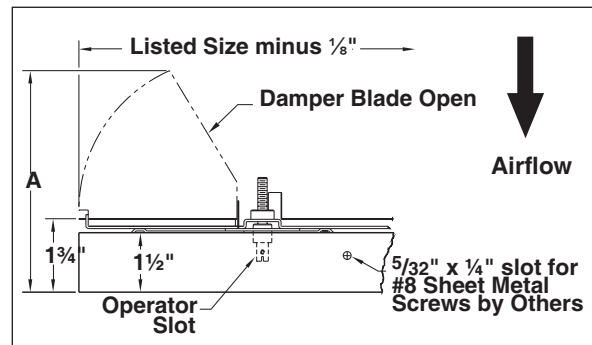
Standard Finish - #84 Black

### OVERVIEW

#### Opposed Blade

Effective air balancing begins with the balancing provisions that are designed into the HVAC system. Titus balancing devices are easy to select and specify. They are designed for quick access and adjustment and are engineered for the least possible noise, turbulence and air resistance. Titus makes available published flow factors for all Titus diffusers. This allows precision balancing to be performed in the field with accuracy based on prior test results.

Note: The photograph represents sizes 14" and larger



Nominal Size	A
6	4 <sup>1</sup> / <sub>8</sub>
7	4 <sup>1</sup> / <sub>2</sub>
8	5
10	5 <sup>7</sup> / <sub>8</sub>
12	6 <sup>3</sup> / <sub>4</sub>

Nominal Size	A
14	3
15	3 <sup>1</sup> / <sub>4</sub>
16	3 <sup>5</sup> / <sub>8</sub>
18	4 <sup>3</sup> / <sub>8</sub>

Nominal Size	A
20	5
24	3 <sup>7</sup> / <sub>8</sub>
30	5 <sup>3</sup> / <sub>8</sub>
36	7



D-75

- Mounts directly to the diffuser neck. Three sets of gang operated opposed blades distribute air evenly over the diffuser face. Quickly, easily adjusted from the face side of the diffuser.
- Galvanized steel material



D-75



air balancing

**MODEL:**

D-75

**FINISH:**

Standard Finish - #04 Mill



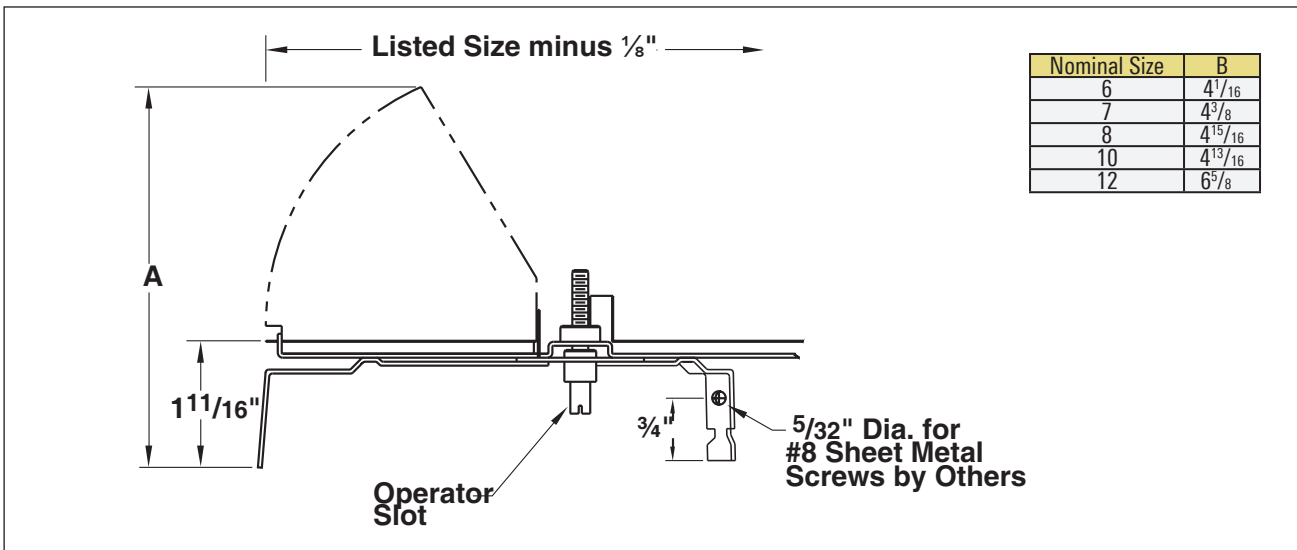
See website for Specifications

**OVERVIEW**

**Opposed Blade**

Effective air balancing begins with the balancing provisions that are designed into the HVAC system. Titus balancing devices are easy to select and specify. They are designed for quick access and adjustment and are engineered for the least possible noise, turbulence and air resistance. Titus makes available published flow factors for all Titus diffusers. This allows precision balancing to be performed in the field with accuracy based on prior test results.

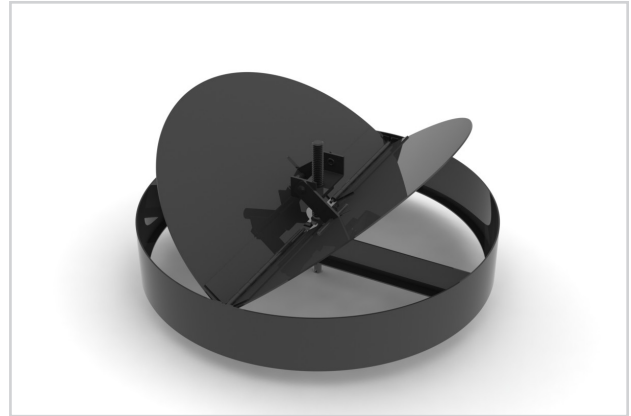
Note: For 6", 7", 8", 10", and 12" Round Necks.



All dimensions are in inches

## AG-85

- A low cost damper for volume control in round neck diffusers. Continuously adjustable. Friction pivots hold the heavy gauge blades at the desired setting. Quickly, easily adjusted from the face side of the diffuser.
- Not recommended for use with flexible duct
- Steel material



AG-85



air balancing



See website for Specifications

### MODEL:

AG-85 / Duct Mounted

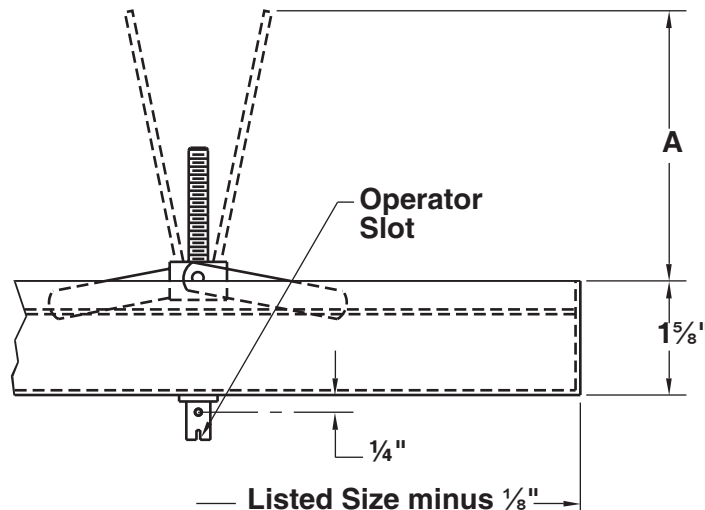
### FINISH:

Standard Finish - #84 Black

### OVERVIEW

#### Butterfly

Effective air balancing begins with the balancing provisions that are designed into the HVAC system. Titus balancing devices are easy to select and specify. They are designed for quick access and adjustment and are engineered for the least possible noise, turbulence and air resistance. Titus makes available published flow factors for all Titus diffusers. This allows precision balancing to be performed in the field with accuracy based on prior test results.



Nominal Size	A
4	1 <sup>7</sup> / <sub>16</sub>
5	1 <sup>15</sup> / <sub>16</sub>
6	2 <sup>7</sup> / <sub>16</sub>
7	2 <sup>15</sup> / <sub>16</sub>
8	3 <sup>7</sup> / <sub>16</sub>
10	4 <sup>7</sup> / <sub>16</sub>
12	5 <sup>7</sup> / <sub>16</sub>
14	6 <sup>7</sup> / <sub>16</sub>
15	6 <sup>15</sup> / <sub>16</sub>
16	7 <sup>7</sup> / <sub>16</sub>
18	8 <sup>7</sup> / <sub>16</sub>
20	9 <sup>7</sup> / <sub>16</sub>
24	11 <sup>7</sup> / <sub>16</sub>

## AG-15

- Neck mounted
- Uses steel s-clips for easy mounting and removal
- Steel and 304 Stainless Steel models are slot operated
- Aluminum model is lever operated



AG-15



air balancing

### MODELS:

AG-15 / Galvanized Steel  
AG-15-AA / Aluminum  
AG-15-SS / 304 Stainless Steel

### FINISH:

Standard Finish - #04 Mill



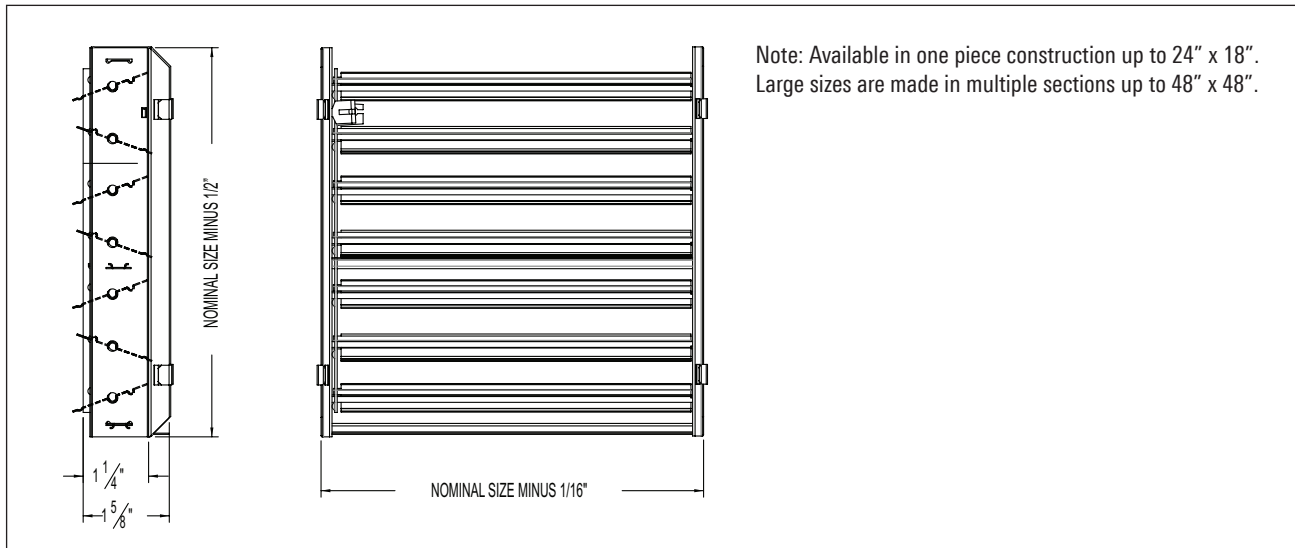
See website for Specifications

### OVERVIEW

#### Square & Rectangular Dampers / Opposed Blade

Effective air balancing begins with the balancing provisions that are designed into the HVAC system. Titus balancing devices are easy to select and specify. They are designed for quick access and adjustment and are engineered for the least possible noise, turbulence and air resistance. Titus makes available published flow factors for all Titus diffusers. This allows precision balancing to be performed in the field with accuracy based on prior test results.

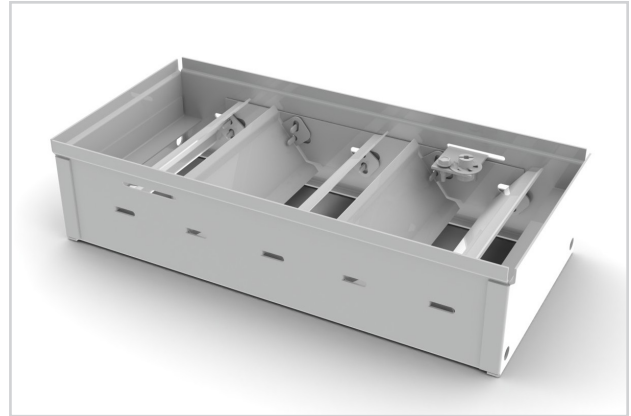
Note: Available only for 300/350 Series, 50F, 8R and 8F models



All dimensions are in inches

## AG-15-HD

- Neck mounted
- Uses steel s-clips for easy mounting and removal
- Designed to fit drum louver (DL) models only



AG-15-HD



air balancing



See website for Specifications

### MODEL:

AG-15-HD / Steel / Heavy Duty Neck-Mounted

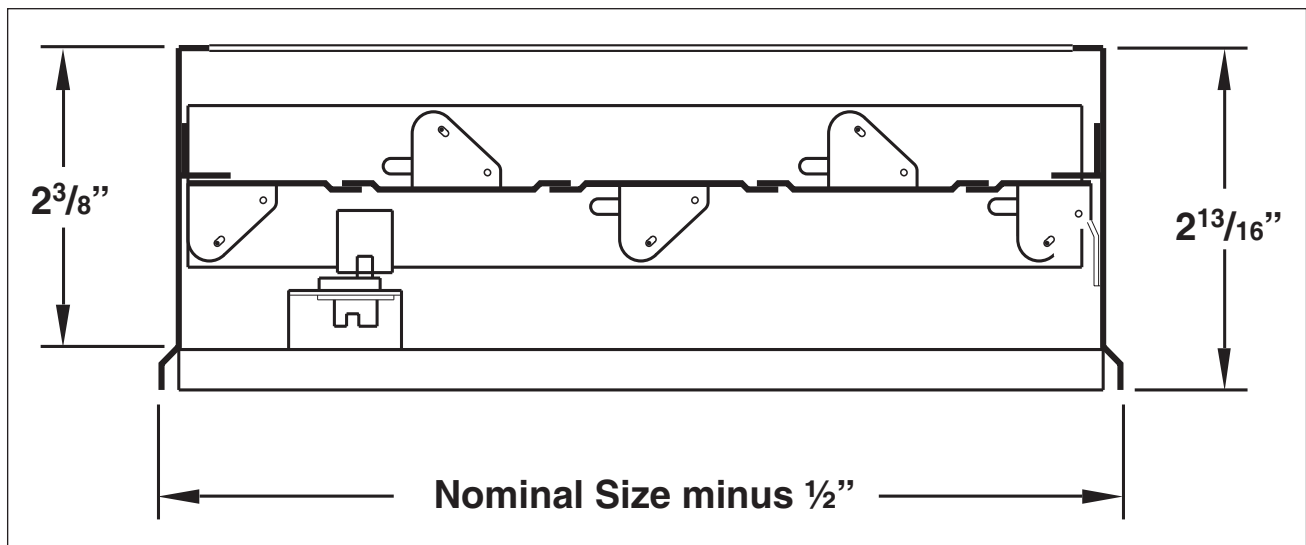
### FINISH:

Standard Finish - #04 Mill

### OVERVIEW

#### Opposed Blade

Effective air balancing begins with the balancing provisions that are designed into the HVAC system. Titus balancing devices are easy to select and specify. They are designed for quick access and adjustment and are engineered for the least possible noise, turbulence and air resistance. Titus makes available published flow factors for all Titus diffusers. This allows precision balancing to be performed in the field with accuracy based on prior test results.



## AG-35

- Gang-operated opposed blades meter air volume precisely with minimum air disturbance
- Model AG-35 installs in the duct immediately behind the diffuser
- Model AG-35B installs in the duct, separated from the diffuser
- Model numbers with the suffix AA denote aluminum construction with miscellaneous steel parts
- Available Operators:
  - #1 Slot Operated (Supply)
  - #8 Slide (lever)
  - Operated (Return)



AG-35



air balancing

### MODELS:

AG-35 / Steel / Neck Mounted  
 AG-35-AA / Aluminum / Neck Mounted  
 AG-35B / Steel / Duct Mounted  
 AG-35B-AA / Aluminum / Duct Mounted

### FINISH:

Standard Finish - #04 Mill

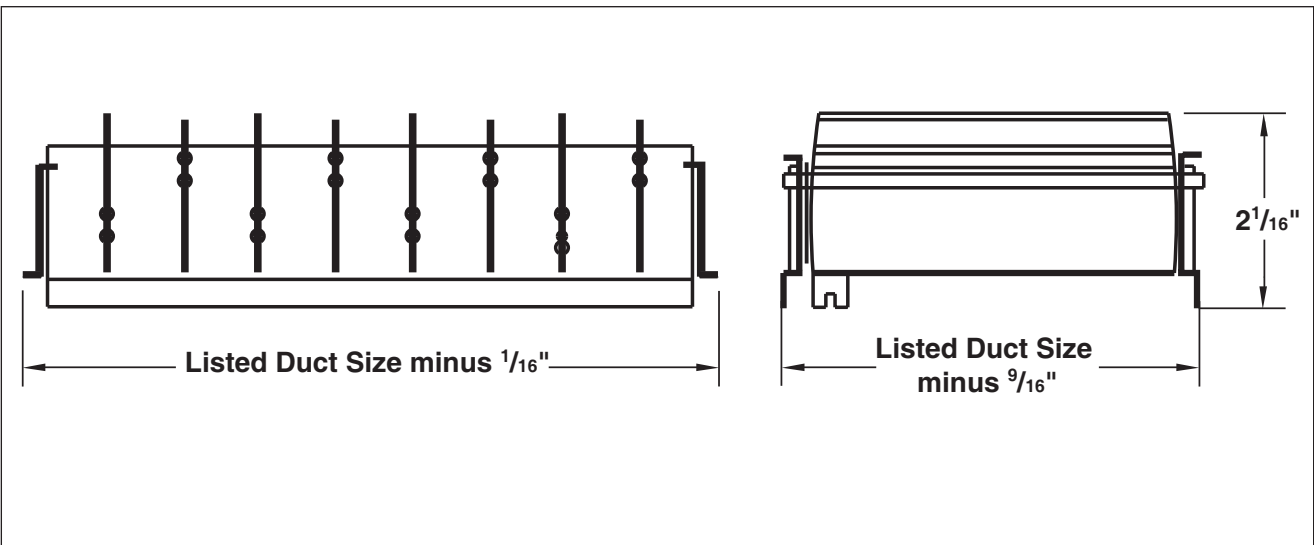


See website for Specifications

### OVERVIEW

#### Opposed Blade

Effective air balancing begins with the balancing provisions that are designed into the HVAC system. Titus balancing devices are easy to select and specify. They are designed for quick access and adjustment and are engineered for the least possible noise, turbulence and air resistance. Titus makes available published flow factors for all Titus diffusers. This allows precision balancing to be performed in the field with accuracy based on prior test results.



Note: Available in one piece construction up to 30" x 12". Large sizes are made in multiple sections up to 48 x 48 inches.

## AGR-35-AAS

- Model AGR-35-AA-S is a remote cable-operated damper for duct-mounted applications, separate from the diffuser
- Gang-operated opposed blades meter air volume precisely with minimal air disturbance
- Constructed of heavy-duty extruded aluminum with miscellaneous steel parts
- Cable available in lengths of 2 feet through 12 feet in 1 foot increments
- Cable assembly shipped loose for field installation
- Dampers require one to three cables for operation based on width. Sizes 6 to 16 inches require one cable, 18 to 32 inches require two cables, and 34 to 48 inches require three cables.



AGR-35-AAS



air balancing

### MODEL:

AGR-35-AAS

### FINISH:

Standard Finish - #04 Mill

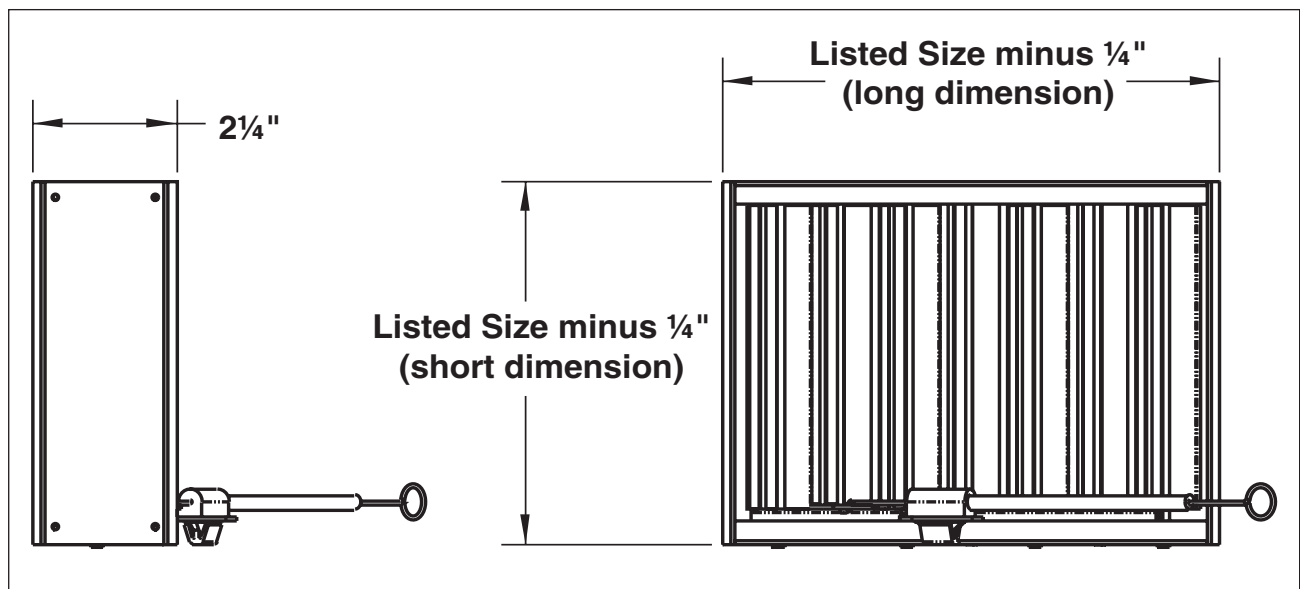


See website for Specifications

## OVERVIEW

### Opposed Blade / Remote Cable Operated

Effective air balancing begins with the balancing provisions that are designed into the HVAC system. Titus balancing devices are easy to select and specify. They are designed for quick access and adjustment and are engineered for the least possible noise, turbulence and air resistance. Titus makes available published flow factors for all Titus diffusers. This allows precision balancing to be performed in the field with accuracy based on prior test results.



## AG-95 / AG-95-AA

- For use with all Titus Series TDC louvered diffusers, as well as with all perforated diffusers having square or rectangular necks
- The blades distribute air evenly over the diffuser neck opening, in addition to regulating the airflow accurately. An operating lever is accessible from the face side of the diffuser.
- Attaches quickly with sheet metal screws directly to the diffuser neck (screws provided by others)
- Also available with a slot operator for use with Titus TDV and TDX model diffusers



AG-95 / AG-95-AA



air balancing

### MODELS:

AG-95 / Steel  
AG-95-AA / Aluminum

### FINISH:

Standard Finish - #84 Black

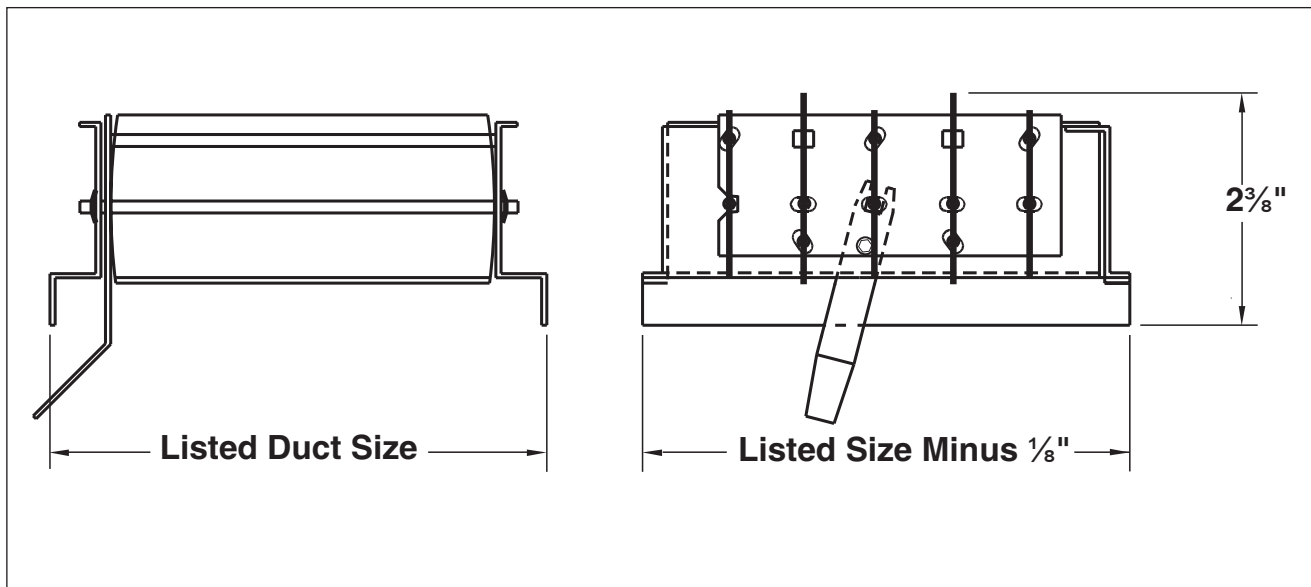


See website for Specifications

### OVERVIEW

#### Opposed Blade

Effective air balancing begins with the balancing provisions that are designed into the HVAC system. Titus balancing devices are easy to select and specify. They are designed for quick access and adjustment and are engineered for the least possible noise, turbulence and air resistance. Titus makes available published flow factors for all Titus diffusers. This allows precision balancing to be performed in the field with accuracy based on prior test results.



All dimensions are in inches



## AG-125

- Two sets of independently adjustable blades in one damper. The air-entering set deflects air from the main duct into the take-off. The air leaving the unit equalizes airflow into the diffuser.
- A suffix "S" on the model number denotes blades parallel to the short dimension, "L" denotes blades parallel to the long dimension
- Extruded aluminum blades, steel frame



AG-125



air balancing

### MODEL:

AG-125

### FINISH:

Standard Finish - #04 Mill



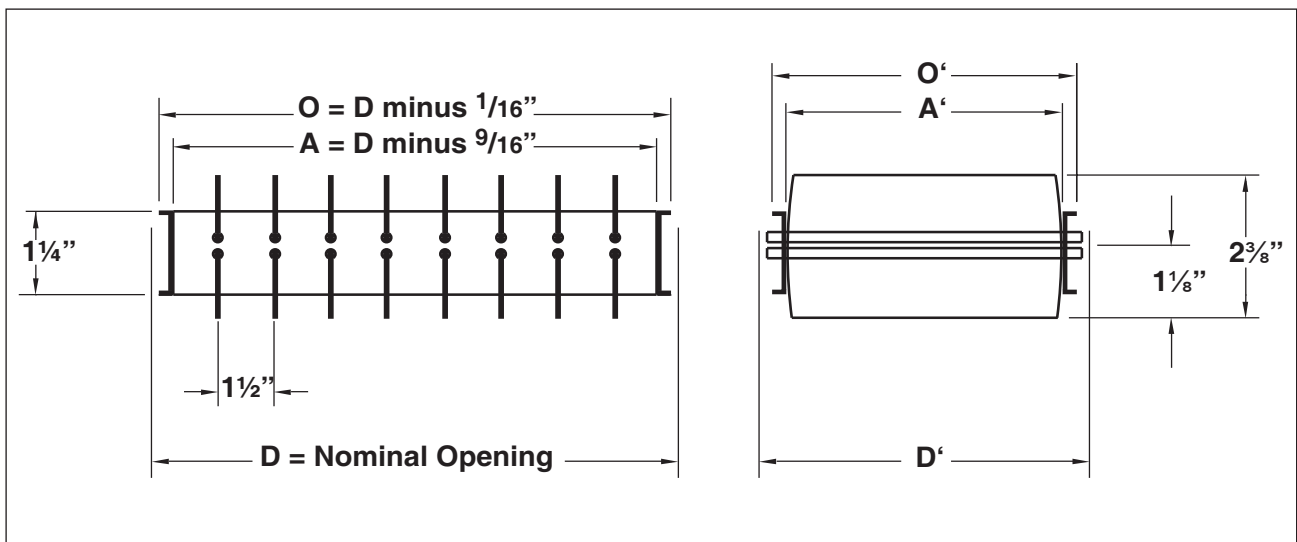
See website for Specifications

## OVERVIEW

### Double Blade

Effective air balancing begins with the balancing provisions that are designed into the HVAC system. Titus balancing devices are easy to select and specify. They are designed for quick access and adjustment and are engineered for the least possible noise, turbulence and air resistance. Titus makes available published flow factors for all Titus diffusers. This allows precision balancing to be performed in the field with accuracy based on prior test results.

Note: Model AG-125 is for TDC diffusers only



## AG-65

- Quickly installed with sheet metal screws flush with entrance to the branch take-off. The damper blade opens upstream in the main duct to catch the air and divert it into the take-off.
- Individually adjustable vanes with friction pivots equalize velocities entering the diffuser neck
- Nominal Sizes: 4, 5, 6, 7, 8, 10, 12, 14, 15, 16, 18, 20, 24, 30, 36



AG-65



air balancing



See website for Specifications

### MODEL:

AG-65 / For Round Necks

### FINISHES:

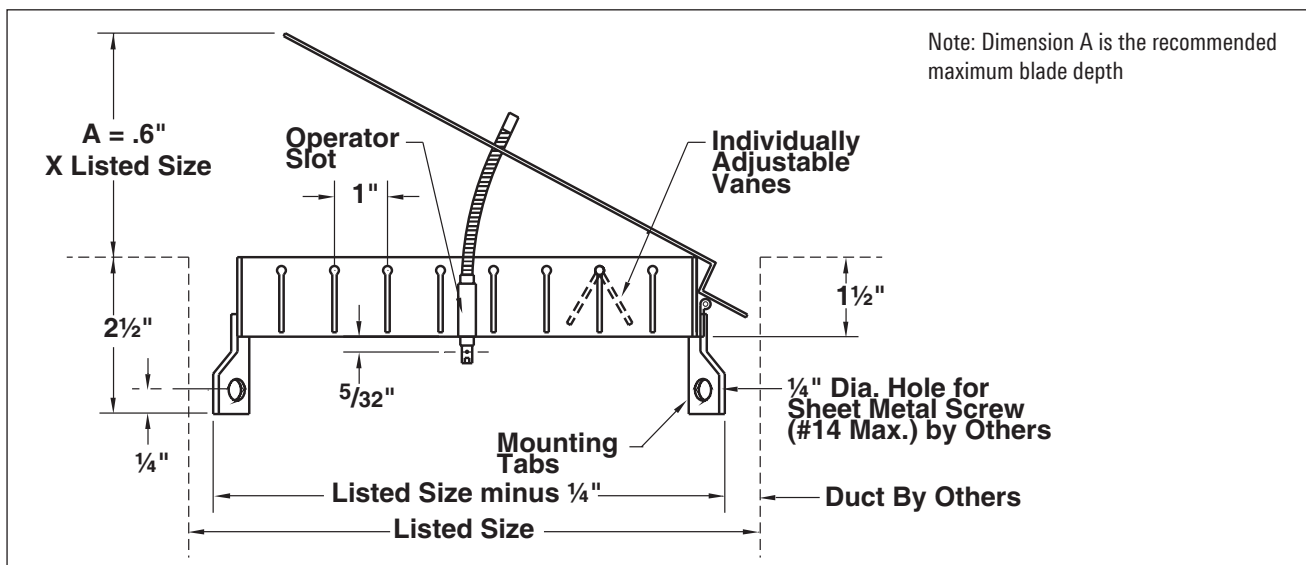
Standard Finish - #84 Black  
Optional Finish - #04 Mill

### OVERVIEW

#### Damper with Grid

Effective air balancing begins with the balancing provisions that are designed into the HVAC system. Titus balancing devices are easy to select and specify. They are designed for quick access and adjustment and are engineered for the least possible noise, turbulence and air resistance. Titus makes available published flow factors for all Titus diffusers. This allows precision balancing to be performed in the field with accuracy based on prior test results.

K



AG-65

## AG-65 (S, L)

- Quickly installed with sheet metal screws flush with the entrance to the branch take-off (screws by others.) The damper blade opens upstream in the main duct to catch the air and divert it into the take-off.
- Individually adjustable vanes with friction pivots equalize velocities entering the diffuser neck
- The suffix "S" or "L" denotes vanes parallel to the short or long dimension. Maximum length/width ratio is 2:1. Maximum size is 30 x 30 inches.



AG-65 (S, L)



air balancing

### MODELS:

AG-65-S  
AG-65-L / For Square & Rectangular Necks

### FINISHES:

Standard Finish - #84 Black  
Optional Finish - #04 Mill

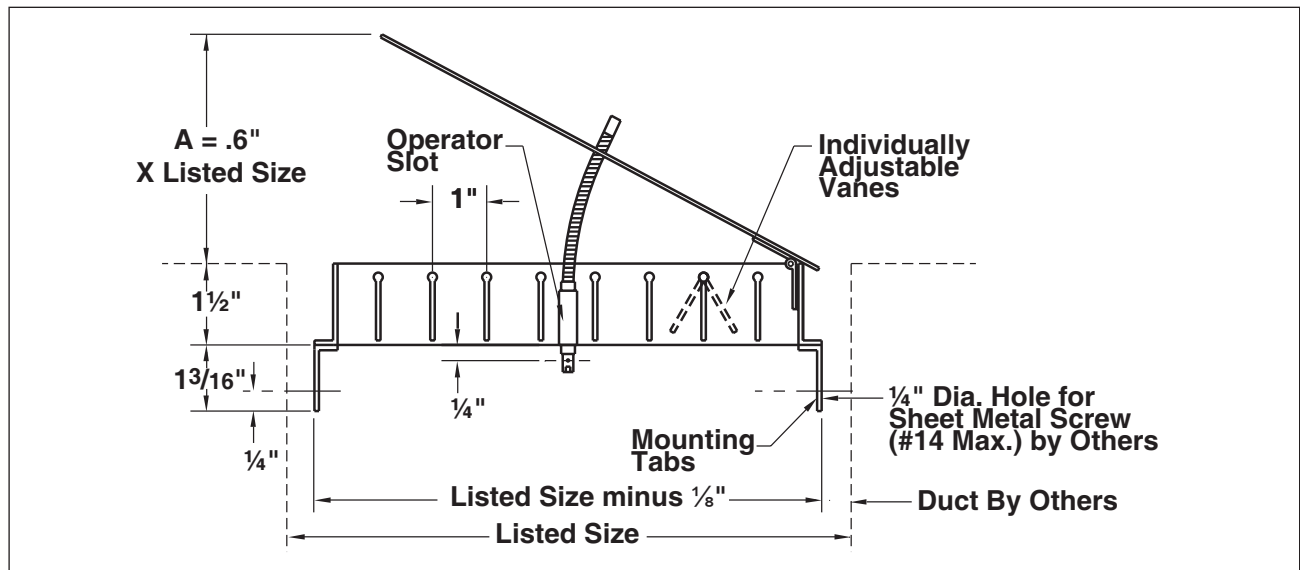


See website for Specifications

### OVERVIEW

#### Damper with Grid

Effective air balancing begins with the balancing provisions that are designed into the HVAC system. Titus balancing devices are easy to select and specify. They are designed for quick access and adjustment and are engineered for the least possible noise, turbulence and air resistance. Titus makes available published flow factors for all Titus diffusers. This allows precision balancing to be performed in the field with accuracy based on prior test results.



EG

- Equalizes the airflow into the branch duct or diffuser neck. Also gives directional control of airflow. Specially designed Titus airfoil vanes give maximum control with minimum noise and turbulence. The vanes are individually adjustable, with friction pivots to hold the desired settings.
- For nominal round duct sizes 4 through 36 inches



EG



air balancing

MODEL:

EG / For Round Necks

FINISHES:

Standard Finish - #84 Black  
Optional Finish - #04 Mill



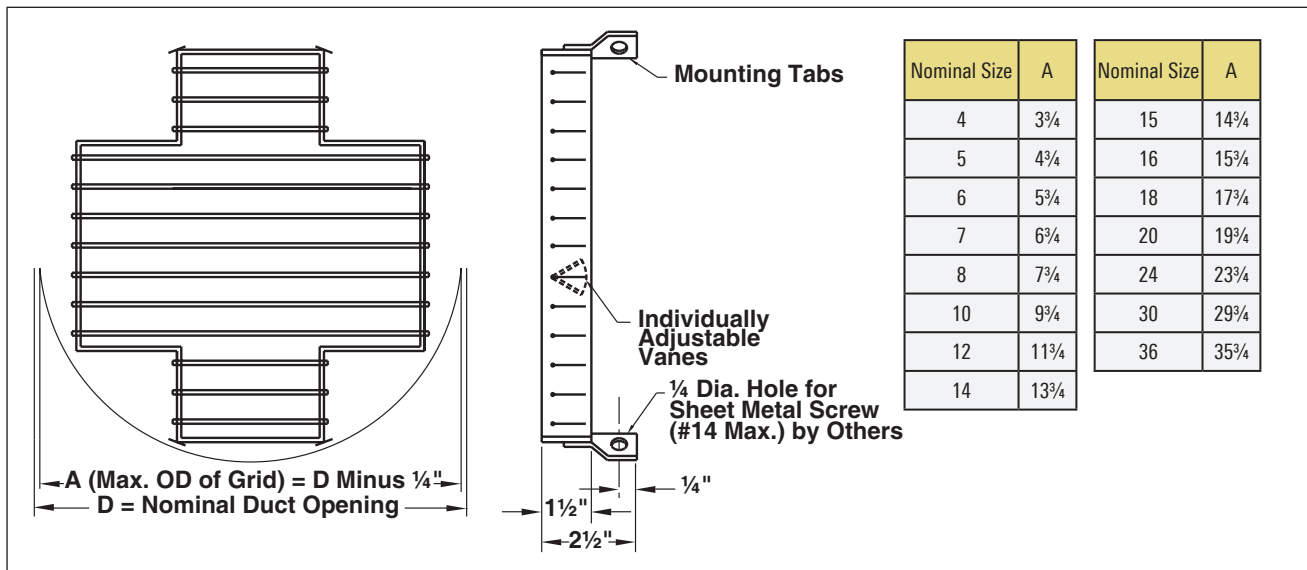
See website for Specifications

OVERVIEW

Equilizing Grid

Effective air balancing begins with the balancing provisions that are designed into the HVAC system. Titus balancing devices are easy to select and specify. They are designed for quick access and adjustment and are engineered for the least possible noise, turbulence and air resistance. Titus makes available published flow factors for all Titus diffusers. This allows precision balancing to be performed in the field with accuracy based on prior test results.

K



## EG (S, L)

- Equalizes the airflow into the branch duct or diffuser neck. Also gives directional control of airflow. Specially designed Titus airfoil vanes give maximum control with minimum noise and turbulence.
- The vanes are individually adjustable, with friction pivots to hold the desired settings
- The suffix "S" or "L" denotes vanes parallel to the short or long dimension



EG-S



EG-L



air balancing

### MODELS:

EG-S  
EG-L / For Square & Rectangular Necks

### FINISHES:

Standard Finish - #84 Black  
Optional Finish - #04 Mill

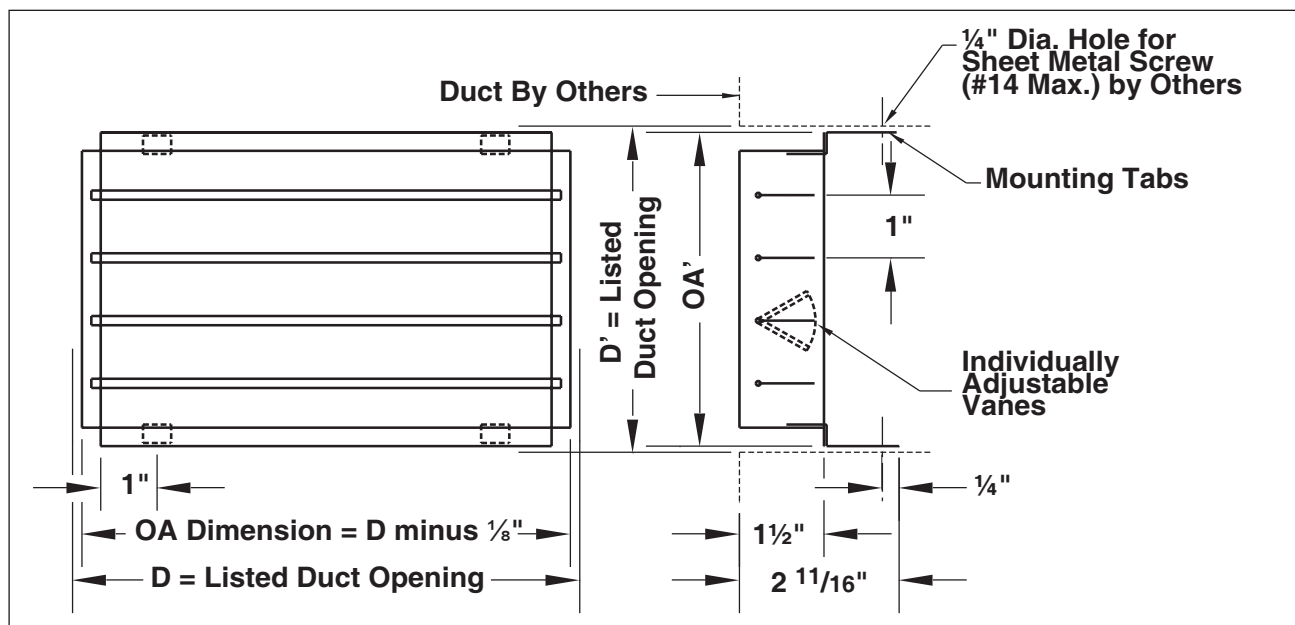


See website for Specifications

## OVERVIEW

### Equilizing Grid

Effective air balancing begins with the balancing provisions that are designed into the HVAC system. Titus balancing devices are easy to select and specify. They are designed for quick access and adjustment and are engineered for the least possible noise, turbulence and air resistance. Titus makes available published flow factors for all Titus diffusers. This allows precision balancing to be performed in the field with accuracy based on prior test results.



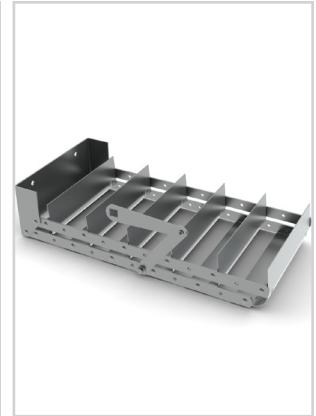
All dimensions are in inches

## AG-45 / AG-225

- Gang-operated parallel vanes are fully adjustable from open to closed. The carefully designed vane cross-section minimizes pressure drop and turbulence. The extractor provides uniform air distribution across the stub duct or diffuser neck.
- Factory assembled, installs easily with two sheet metal screws (screws by others.) Choice of three operators as illustrated below. Maximum recommended size is 36 x 12 inches. Maximum duct velocity is 2500 fpm.



AG-45



AG-225



air balancing

### MODELS:

AG-45 / 1" Spacing  
AG-225 / 2" Spacing

### FINISH

Standard Finish - #04 Mill

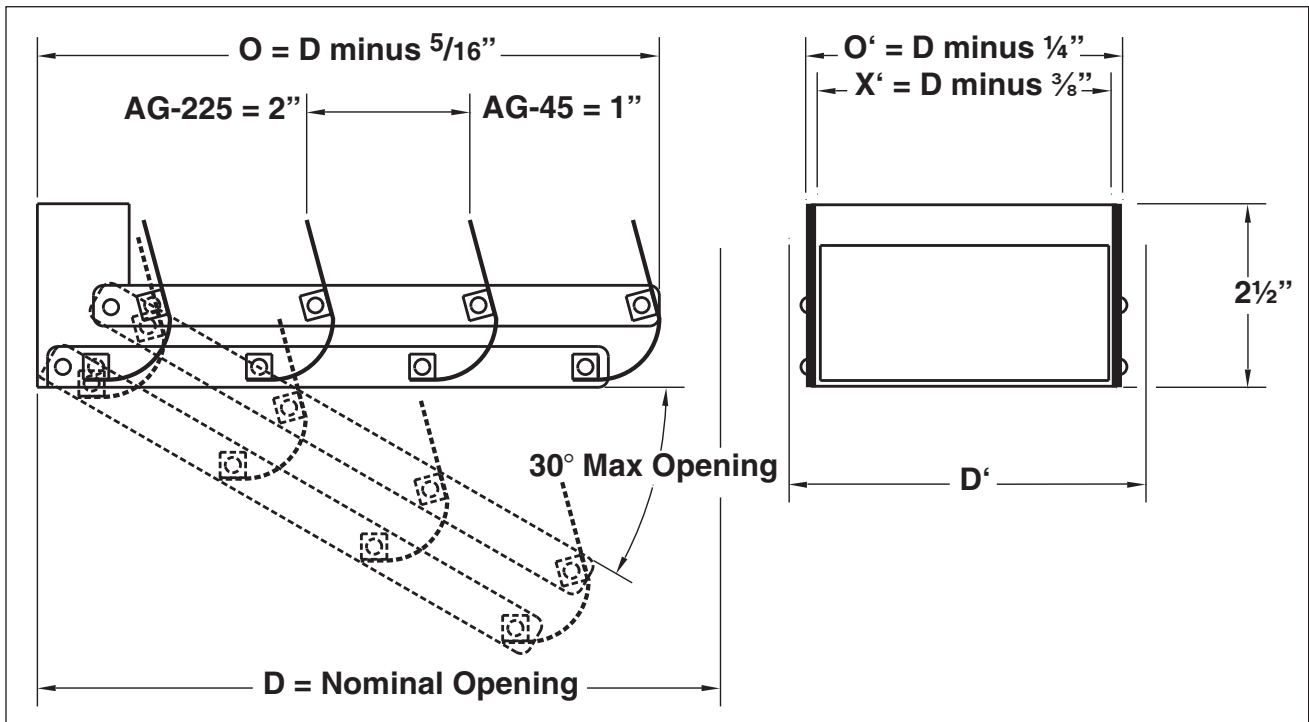
### OVERVIEW

#### Volume Extractors

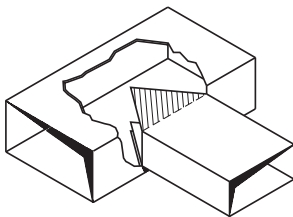
Effective air balancing begins with the balancing provisions that are designed into the HVAC system. Titus balancing devices are easy to select and specify. They are designed for quick access and adjustment and are engineered for the least possible noise, turbulence and air resistance. Titus makes available published flow factors for all Titus diffusers. This allows precision balancing to be performed in the field with accuracy based on prior test results.



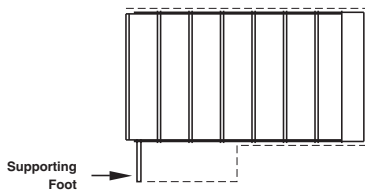
See website for Specifications



Installation Notes

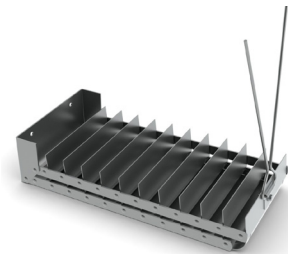


If the tops and bottoms of the main and branch ducts are in different planes, branch duct extensions above and below the extractor will improve performance.

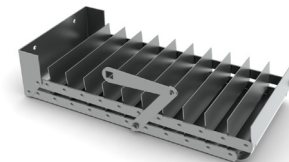


The installer is to provide a supporting foot if  $D$  exceeds 12 inches or the bottom of the main and branch ducts are not in the same plane.

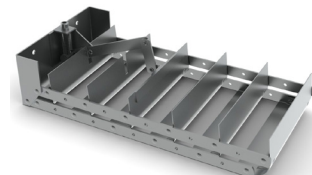
With Operator #1  
Push-Pull Double Wire  
Locked with Sheet Metal  
Screw



With Operator #2  
 $\frac{3}{8}''$  Square Rotating Shaft  
(Young #1) by Others



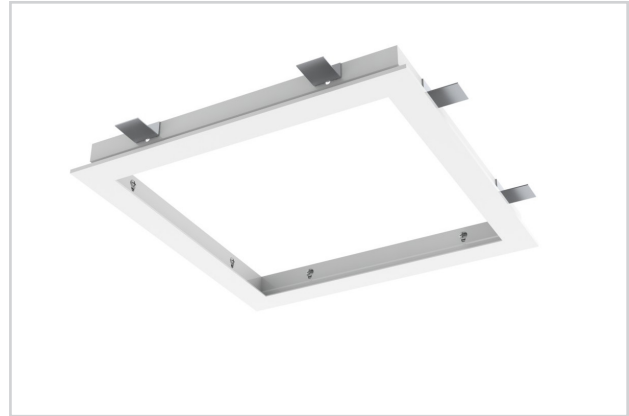
With Operator #3  
Key-Operated Screw  
Access through Diffuser  
Face





## TRM / TRM-S

- Model TRM Titus Rapid Mount Frame allows T-bar, lay-in type diffusers (border Type 3) to be installed in surface mounting applications (border Type 1)
- TRM frame is installed in opening and secured in place using security clips. Screws are mounted flush in frame mounting holes.
- Rapid Mount Frame can be mounted in plaster or sheet rock ceiling
- The TRM can be used to access ceiling plenum. Diffuser with flex connection can be lifted out of frame to access ceiling space.
- Material is aluminum with steel fasteners



TRM / TRM-S



mounting frames

### MODELS:

TRM / Aluminum  
TRM-S / Steel

### FINISHES:

Standard Finish - #26 White  
Optional Finishes - #01 Aluminum / #04 Mill



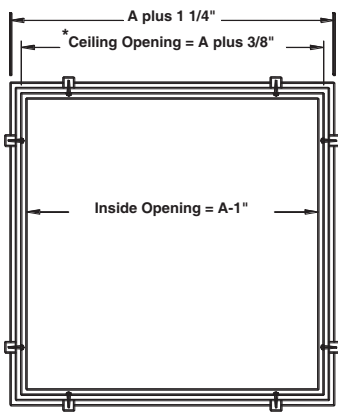
See website for Specifications

## OVERVIEW


### Rapid Mount

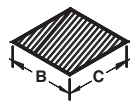
Titus mounting frames make installation of grilles, diffusers and other ceiling components in plaster and sheet rock ceilings as simple as inserting them in a standard T-bar type ceiling. For typical applications, the frame has adjustable fastening clips which adapt to a variety of plaster and sheet rock ceiling thicknesses.

Note: For plaster and sheet rock ceilings



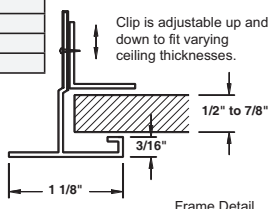
A = Length of ceiling module





Ceiling Module	Recommended Ceiling Opening*	
	B	C
12 x 12	12½	12½
300 x 300mm	313mm	313mm
16 x 16	16½	16½
20 x 20	20½	20½
24 x 12	24½	12½
24 x 24	24½	24½
600 x 600mm	613mm	613mm
36 x 24	36½	24½
48 x 12	48½	12½
48 x 24	48½	24½
60 x 12	60½	12½
60 x 24	60½	24½
72 x 12	72½	12½
72 x 24	72½	24½

\*Check actual dimensions of ceiling opening before installation



Clip is adjustable up and down to fit varying ceiling thicknesses.

Frame Detail

## TDRM

- The TDRM allows T-bar, lay-in type diffusers (border type 3) to be installed in 30 x 30 ceiling tees
- Can be used with all Titus diffusers that are 24 x 24 lay-in type
- Can be used to access ceiling plenum. Diffuser with flex connection can be lifted out of frame to access ceiling space.



TDRM



mounting frames



See website for Specifications

### MODEL:

TDRM / Aluminum

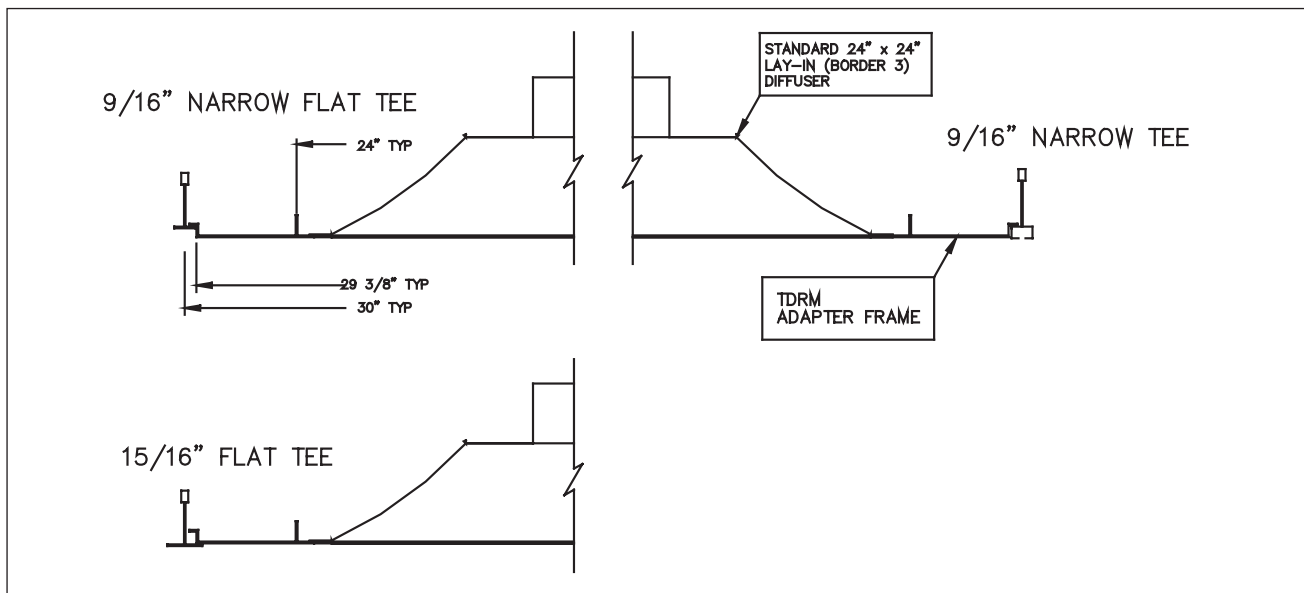
### FINISHES:

Standard Finish - #26 White

Optional Finish - #01 Aluminum / #04 Mill

### OVERVIEW

Titus mounting frames make installation of grilles, diffusers and other ceiling components in plaster and sheet rock ceilings as simple as inserting them in a standard T-bar type ceiling. For typical applications, the frame has adjustable fastening clips which adapt to a variety of plaster and sheet rock ceiling thicknesses.



## PF / PFA / PF-SS

- Not available in sizes over 48 inches in either dimension
- Wall opening should be listed duct size plus  $\frac{1}{8}$ " to listed duct size plus  $\frac{1}{4}$ "
- Models PF, PFA, and PF-SS can be installed as either surface mount or recessed



PF / PFA / PF-SS



mounting frames

### MODELS:

PF / Steel  
PFA / Aluminum  
PF-SS / 304 Stainless Steel

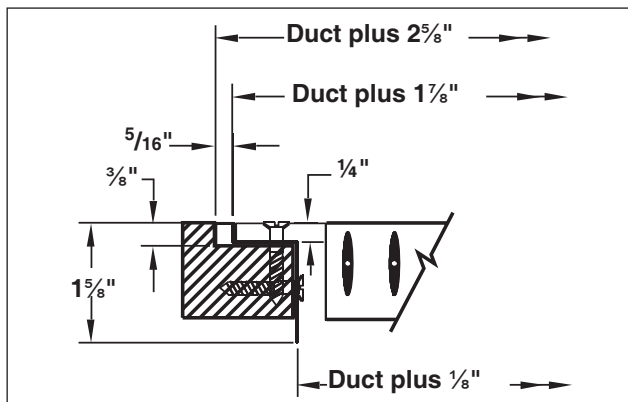
### FINISHES:

Standard Finish - #26 White  
Optional Finish - #01 Aluminum / #04 Mill

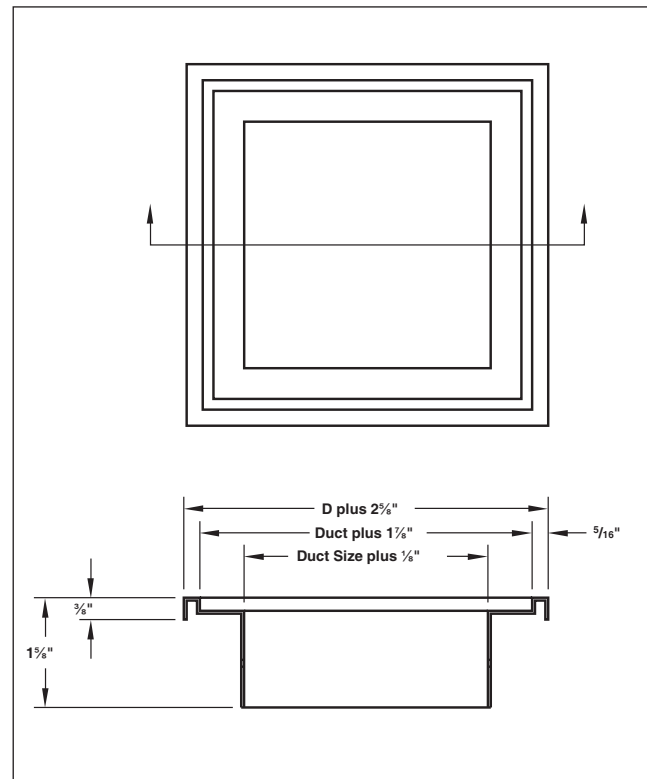
### OVERVIEW

#### Plaster Frames

Titus mounting frames make installation of grilles, diffusers and other ceiling components in plaster and sheet rock ceilings as simple as inserting them in a standard T-bar type ceiling. For typical applications, the frame has adjustable fastening clips which adapt to a variety of plaster and sheet rock ceiling thicknesses.



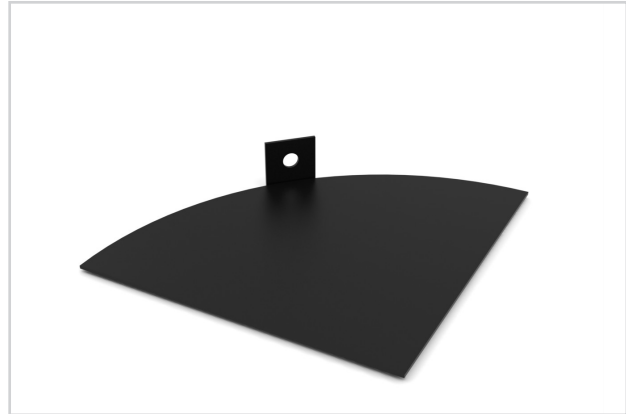
 See website for Specifications



All dimensions are in inches

## SB

- For special applications, where it is necessary to baffle one or more quadrants of the diffuser inlet to achieve a desired air pattern
- Furnished in multiples of 90° to fit most round neck diffusers
- Steel, painted black
- Shipped loose for field installation by others.



SB



baffle



See website for Specifications

### MODEL:

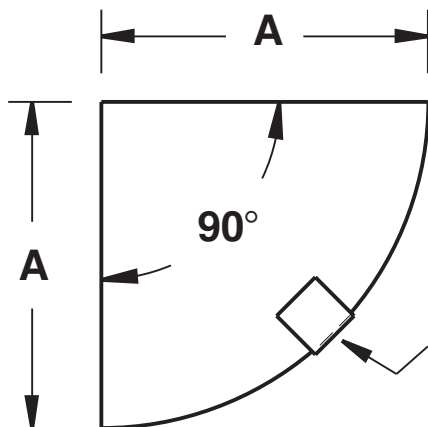
SB

### FINISH:

Standard Finish - #84 Black

### OVERVIEW

Titus Sectorizing Baffle is designed for special applications, where it is necessary to baffle one or more quadrants of the diffuser inlet to achieve a desired air pattern. Baffles are furnished in multiples of 90 degrees to fit most round neck diffusers.



Fasten to inside of diffuser neck with #8 SMS. (by others)

Inlet Size	A
6"	3"
8"	4"
10"	5"
12"	6"
14"	7"
15"	7.5"

## FlexRight

- FlexRight is a radius forming brace designed to form flexible duct into highly efficient 90° elbows
- FlexRight improves airflow and saves energy by eliminating kinks and restrictions common to flexible duct installations
- Great for retrofit applications or new building construction
- Green product that saves energy by improving airflow
- Made from 100% recycled material (copolymer polypropylene)
- Universal design fits flexible duct sizes: 4" - 16"
- UL Listed
- Nylon cable ties supplied by others



FLEXRIGHT

Redefine your comfort zone.™ | www.titus-hvac.com



duct accessories energy solutions

### MODEL:

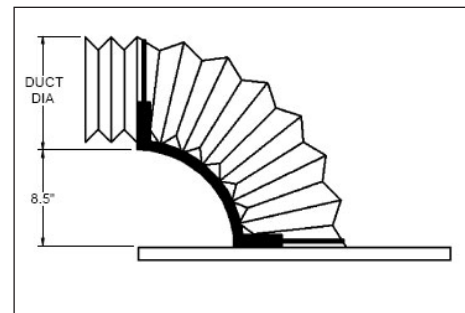
FlexRight

### OVERVIEW

FlexRight is made of 100% recycled materials, is UL listed and saves energy by reducing pressure loss through the duct work. The universal design accommodates all flexible duct sizes and diffuser inlets from 4" to 16". It provides a less expensive alternative to hard duct transitions and is easy to transport and install. With its simple and universal design, FlexRight is a great choice for both new construction and retrofit applications.

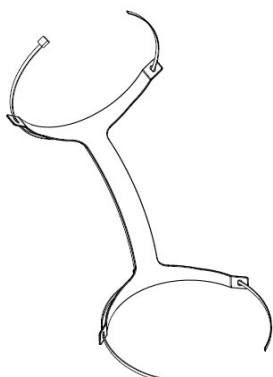


See website for Specifications

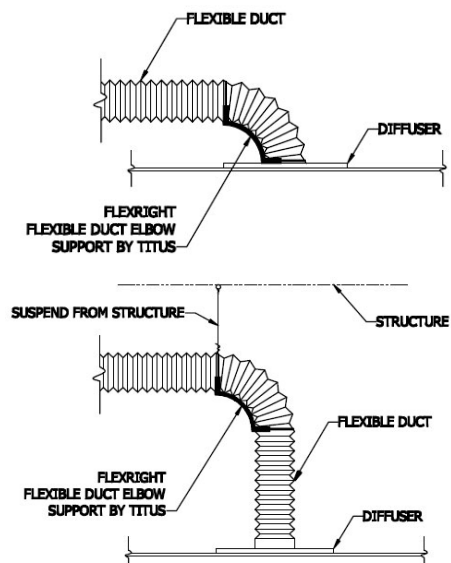


### FlexRight 90° Elbow

Universal-mount, 1 piece, fully adjustable, radius-forming brace to support 4" (102-mm) through 16" (406-mm) diameter flexible air ducts



Nylon cable ties to secure flex duct to FlexRight (ties by others)



K

FLEXRIGHT

K27

## FlexaBoot

- FlexaBoot is an acoustical return sound boot
- Designed for ceiling plenum return air applications
- Eliminates sound transfer in open plenum ceilings
- Acoustically tested assembly consists of flex duct, FlexRight, assembly ties & mounting straps
- Available in two flex duct diameters: 10" & 16"
- Square to round adapters by others



FLEXABOOT



duct accessories



See website for Specifications

### MODEL:

FlexaBoot

### OVERVIEW

The noise criteria (NC) factor for return air outlets is a major concern that is often overlooked in buildings such as medical offices, schools, and executive offices where privacy is vital. Titus offers an acoustical return sound boot that is inexpensive, lightweight, and easy to install. The FlexaBoot assembly consists of a 5' piece of acoustical flex duct, a FlexRight elbow, and all necessary hardware for installation.

#### FlexaBoot Sizes:

10" Diameter - flexible duct length is 60"

16" Diameter - flexible duct length is 72"

Temperature Range: 0° to 200°F

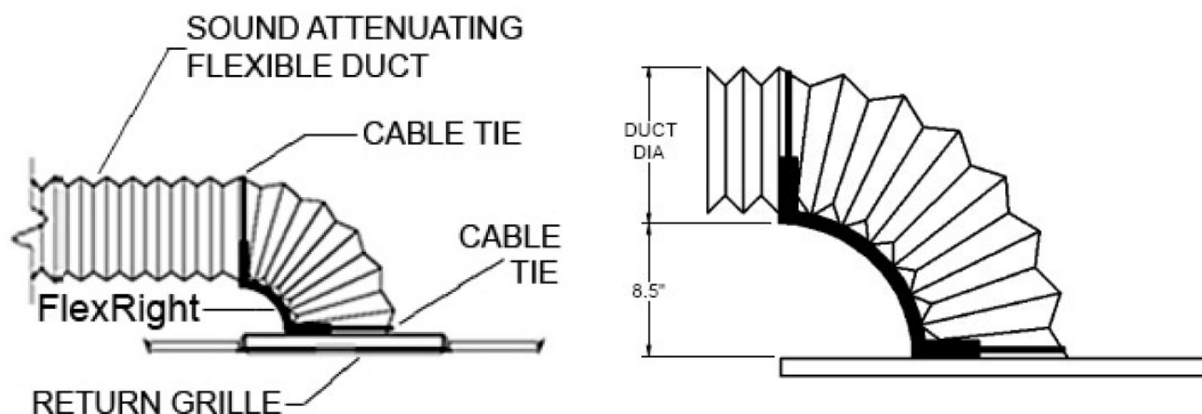
Rated Velocity: 5000FPM

Maximum Rated Pressure (Negative)

1.0" (for 10" diameter size)

1.2" (for 16" diameter size)

Note: Pressure is in inches of WG



All dimensions are in inches





Icons



contributes toward energy savings by reducing operating costs of air distribution devices

energy solutions



designed for quick access, adjustment and are engineered for the least possible noise, turbulence and air resistance

air balancing



designed to make installation of grilles, diffusers and other ceiling components simple in plaster and sheet rock ceilings

mounting frames



designed for special applications, where it is necessary to baffle one or more quadrants of the diffuser inlet to achieve a desired air pattern

baffle



for use in new construction or retrofit applications as a unique and inexpensive alternative to remedy the hard duct transitions

duct accessories

