



## Young Regulator Co.

7100 Krick Rd • Walton Hills, OH 44146

P: 440-232-9700 • F: 440-232-8266

[www.youngregulator.com](http://www.youngregulator.com)

Submit 270-700 Mar 2019

### Model 270-700

*Bowden Remote Cable Control  
Exposed Wall Regulator with  
Stainless Steel coverplate and Knob*

## Application and Design

Balancing dampers located in inaccessible spaces are now easily controlled with the Young Regulator Bowden Remote Cable Assemblies. Access is concealed in the ceiling, inside plenums, or moved to a convenient area such as a nearby mechanical room or above a lay in ceiling. Access doors can be eliminated for architectural aesthetics.

A flexible casing and wire, (PT #BCW, ordered separately) up to 50' long runs from a steel rack and pinion locking controller to a damper where the rotary motion of the rack and pinion controller is converted to a push-pull motion with a lever arm.

The 270-700 is a wall regulator installed inside a 4" x 4" electrical box. The box is fastened to a wall stud. The electrical box is covered with a stainless steel cover plate, from which a knob protrudes. This knob can be turned to control the inaccessible damper.

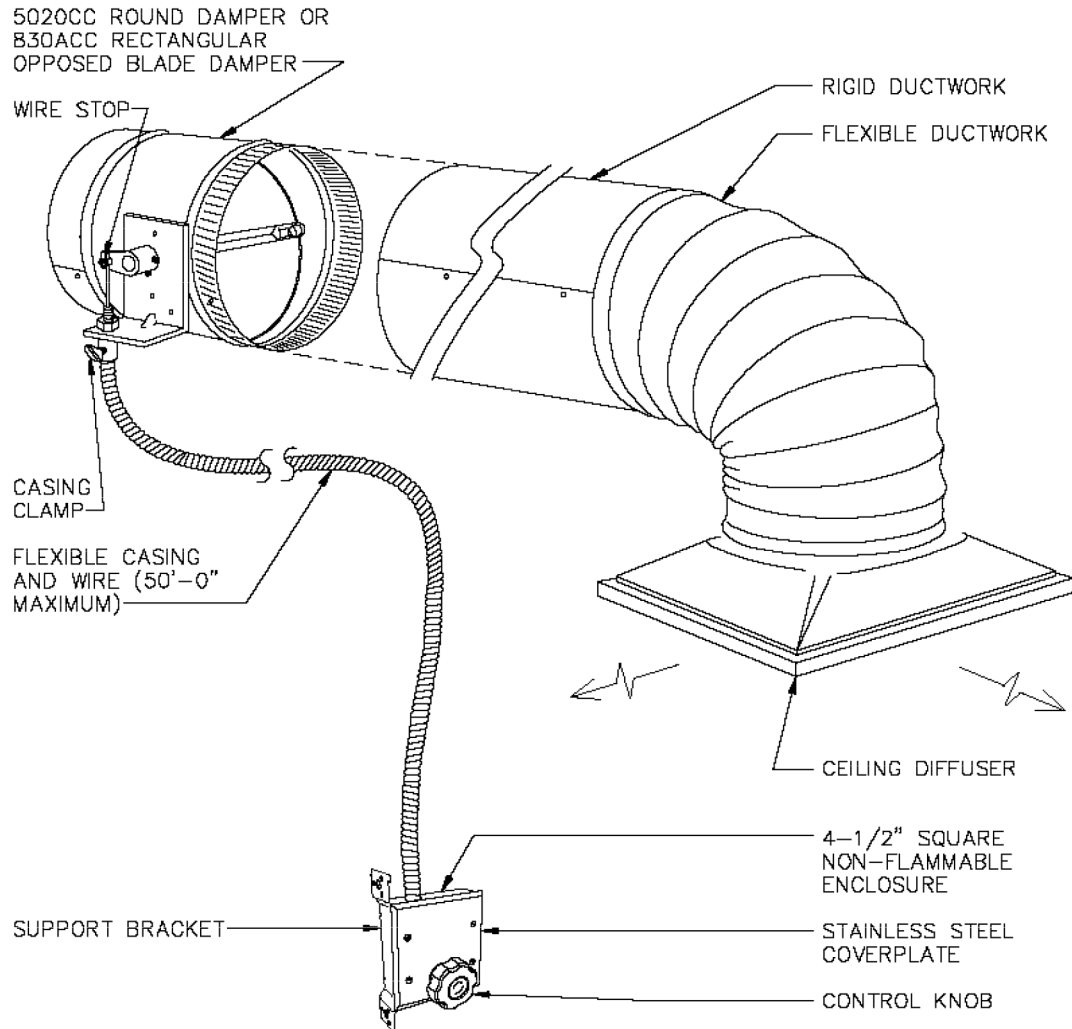


4"x4" Control Box  
and Cover Plate

STANDARD CONSTRUCTION	
Rack and Pinion	14 ga Galvanized Steel
Junction Box	Standard 4x4 Junction Box with legs to fasten to wall studs
Cover Plate	4 1/2" x 4 1/2" Stainless Steel

Options
270-700B with hardware for dampers by others with 1/2" round and/or 3/8" square damper shafts
270-700B-Q with hardware for dampers by others with 5/16" round and/or 1/4" square damper shafts

Quantity	Model	Options	Notes
<b>PROJECT</b>			<b>LOCATION</b>
<b>CONTRACTOR</b>			<b>DESIGN SPECIFIER</b>



## 270-700 BOWDEN CABLE CONTROL SYSTEM - EXPOSED WALL MOUNTED MANUAL REGULATOR

### **SUGGESTED SPECIFICATIONS**

Damper Controller and cable shall be concealed behind the wall. Cable to consist of Bowden cable .054" stainless steel control wire encapsulated in 1/16" flexible galvanized spiral wire sheath. Controller to be mounted in 4-1/2" square non-flammable enclosure complete with control knob, support bracket, cover plate and external flanges for wall stud installation. Controller to be 14 gauge steel rack and pinion gear drive converting rotary motion to push-pull motion.

Control shaft shall be D-style flatted 1/4" diameter with 265 degree rotation providing graduations for positive locking and control, and 1-1/2" linear travel capability. Control kit is designed to be mounted in the wall flush with the finished surface, and to allow easy adjustment of damper from the control knob. Control kit shall be Young Regulator Model 270-700 or prior approved equal.