

Installation, Operation and Maintenance Manual

Please read and save these instructions for future reference. Read carefully before attempting to assemble, install, operate or maintain the product described. Protect yourself and others by observing all safety information. Failure to comply with instructions could result in personal injury and/or property damage!

Plaster Flange Application

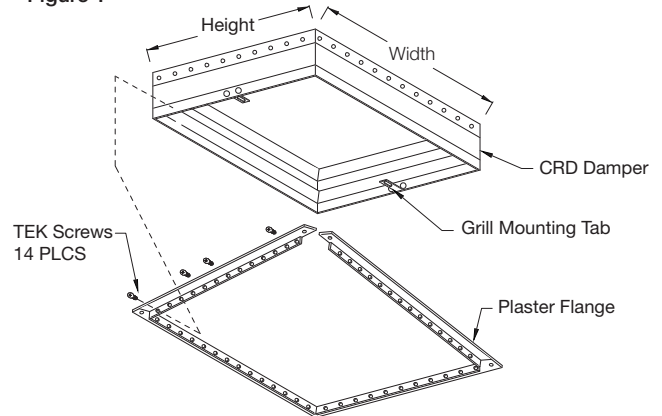
Note: The plaster flange is required when the damper is installed in a combustible floor/ceiling assembly.

When the damper is installed in a non-combustible ceiling/floor assembly, the plaster flange is not required and can be discarded. When unpacking the flange kit from the damper, remove all tape residue from the damper and plaster flange.

When the plaster flange is required, the flange assembly must be attached to the damper as follows.

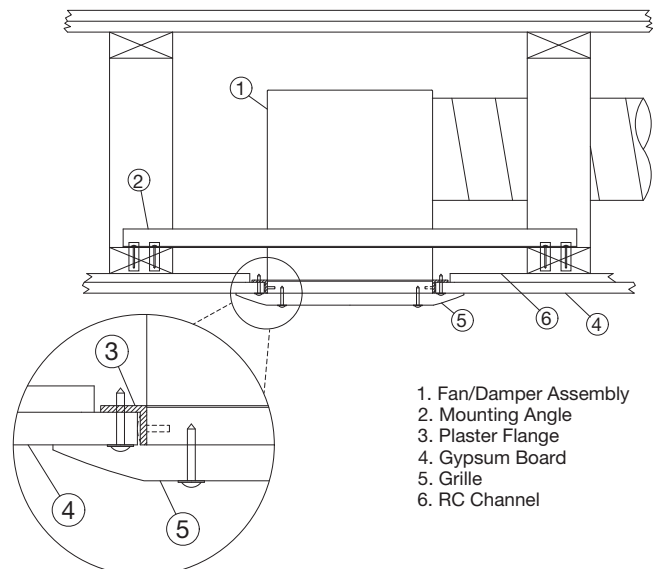
1. Unfold the plaster flange assembly that is supplied. Wrap the assembly around the damper in the orientation shown in Figure 1. Connect the open ends of the flange together.
2. Align the edge of the plaster flange with the edge of the damper frame. Clamp the flange to the damper frame.
3. Using the flange holes as a guide, secure the flange to the damper frame using the supplied fasteners. Install fasteners within 1½ inches (38 mm) from each corner first, then at or near the center of each damper side. Install a fastener on both sides of the grill mounting tabs. Be careful to not strip out the damper frame material while installing the fasteners.

Figure 1



When the damper is installed in a combustible floor/ceiling assembly, the flange will lay on top of the drywall ceiling membrane; as shown below in Figure 2.

Figure 2



1. Fan/Damper Assembly
2. Mounting Angle
3. Plaster Flange
4. Gypsum Board
5. Grille
6. RC Channel