

## Assembly and Installation Instructions

Please read and save these instructions for future reference. Read carefully before attempting to assemble, install, operate or maintain the product described. Protect yourself and others by observing all safety information. Failure to comply with instructions could result in personal injury and/or property damage! Upon receiving the product, check for any damage that may have occurred during transit and report it immediately to the shipper. Also verify that all accessory items are accounted for.



Wall housings are the safest, most efficient and sturdy platform for mounting sidewall propeller fans and their optional accessories. Wall housings allow for a wide range of mounting arrangements to meet specific applications. It is constructed of galvanized steel with heavy-gauge mounting flanges and prepunched mounting holes.

Item	Description	Quantity Sizes 8-48	Quantity Size 54
1	Wall Housing Mounting Angle	4	4
2	Side Panels	2	4
3	Top Panels	1	2
4	Bottom Panels	1	2
—	Fasteners	1 bag	1 bag

NOTE: Unit sizes 8-18 use spinlock fasteners in lieu of weldstuds as listed in these instructions.

NOTE: Figure 1 shows the parts for size 54. Sizes 8-48 will not require two pieces to make up the side, top and bottom panels.

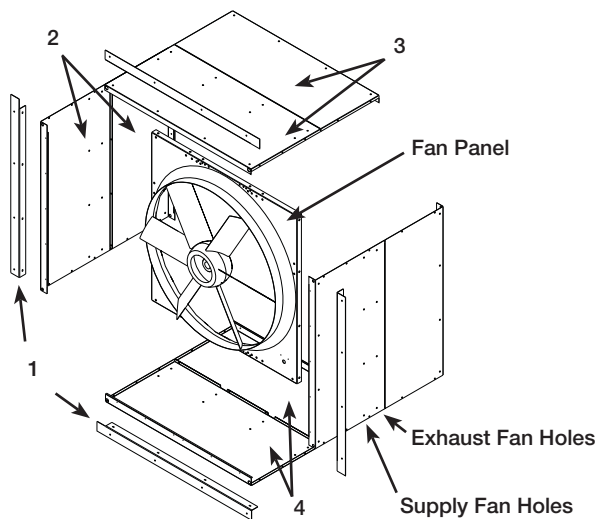


Figure 1 - Parts

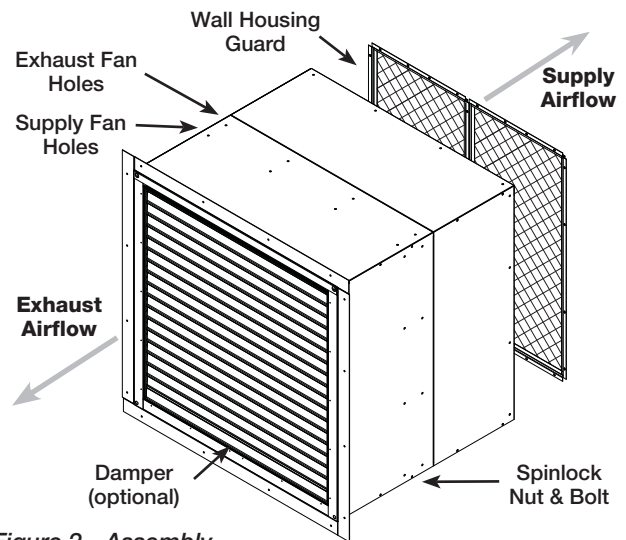


Figure 2 - Assembly

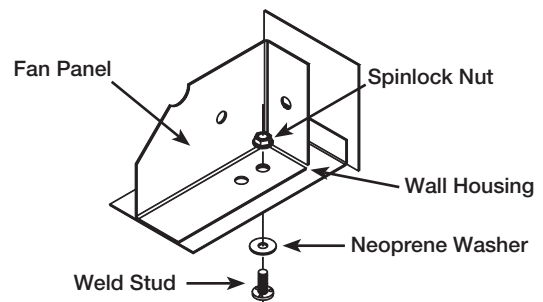


Figure 3 - Assembly

Size	Wall Housing			Damper Guard		Weatherhood			Damper	Mounting Flange	Material Gauge (ga) Thickness
	A	B*	W.O.	C	D	E	F	Width			
8	13¼ (337)	19 (483)	14¼ (362)	5½ (140)	10¼ (260)	13¼ (337)	11¼ (286)	10½ (267)	10 (254)	1½ (38)	20
10	15¼ (387)	19 (483)	16¼ (413)	6½ (165)	12¼ (311)	14¾ (378)	13⅝ (340)	12½ (318)	12 (305)	1½ (38)	20
12	18¼ (464)	23 (584)	19¼ (489)	5⅝ (137)	14¼ (362)	16⅝ (416)	15⅝ (397)	14½ (368)	14 (356)	1½ (38)	20
14	20¼ (514)	26 (660)	21¼ (540)	6⅝ (162)	16¼ (413)	17½ (445)	17⅝ (448)	16½ (419)	16 (406)	1½ (38)	20
16	22¼ (565)	27 (686)	23¼ (591)	6¾ (171)	18¼ (464)	19⅝ (492)	19⅝ (498)	18½ (470)	18 (457)	1½ (38)	20
18	24¼ (616)	28 (711)	25¼ (641)	6 (152)	20¼ (514)	22 (559)	21⅝ (549)	20½ (521)	20 (508)	1½ (38)	20
20	26¼ (667)	32 (813)	27¼ (692)	6½ (165)	22¼ (565)	24¾ (629)	23⅝ (600)	22½ (572)	22 (559)	1½ (38)	18
24	32¼ (819)	37 (940)	33¼ (857)	6⅝ (162)	26¼ (667)	26⅞ (683)	30⅝ (772)	29⅝ (740)	26 (660)	2⅞ (73)	18
30	38¼ (972)	38 (965)	39¼ (1010)	6½ (165)	32¼ (819)	29⅝ (740)	36⅝ (927)	35⅝ (892)	32 (813)	2⅞ (73)	18
36	44¼ (1124)	39 (991)	45¼ (1162)	6¾ (171)	38¼ (972)	33 (838)	42½ (1080)	41⅝ (1045)	38 (965)	2⅞ (73)	18
42	50⅝ (1280)	44 (1118)	51¼ (1314)	10 (254)	44¼ (1124)	35⅝ (908)	48½ (1232)	47⅝ (1197)	44 (1118)	2⅞ (73)	18
48	56⅝ (1432)	44 (1118)	57¼ (1467)	9 (229)	50¼ (1276)	40⅝ (1026)	54⅝ (1387)	53¼ (1353)	50 (1270)	2⅞ (73)	18
54	62⅝ (1584)	52 (1321)	63¼ (1619)	7½ (191)	56¼ (1429)	44¾ (1137)	60⅞ (1546)	59½ (1511)	56 (1422)	4 (102)	16

\*B dimension will increase by 6 in. (152 mm) when a heavy duty motorized backdraft damper is specified. For complete dimensional information refer to submittal. All dimensions given in inches (mm).

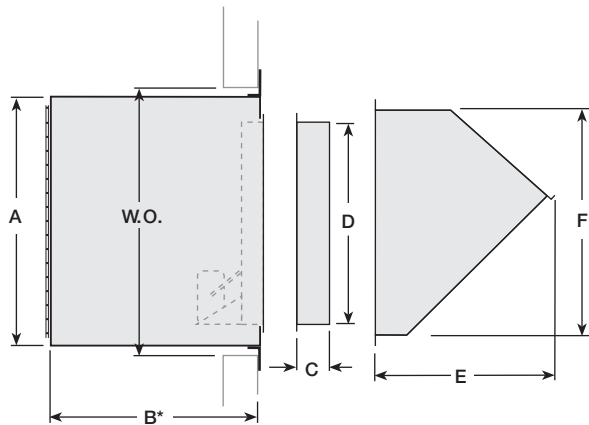


Figure 4 - Dimensional Data

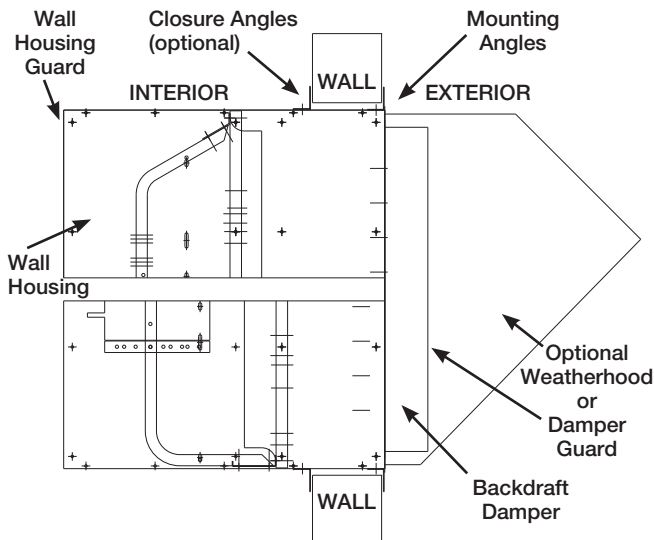


Figure 5 - Typical Installation Configuration (Exhaust/Supply)

## Assembly

1. Determine if a supply fan or exhaust fan is to be used in the wall housing (see Figure 5). Two rows of holes are provided for attaching the wall housing panels to the fan panel.  
NOTE: Exhaust fans are mounted farthest from the damper end. Supply fans are mounted nearest to the damper end (see Figure 2). Damper end has small holes in face of the wall housing. The guard end has larger extruded holes.
2. Using weldstuds and neoprene washers, attach the wall housing bottom panel (Item 4) to the bottom of the fan panel. With the weldstud heads and neoprene washers on the exterior of the housing, refer to Figure 3, place hex nuts on the spinlock bolts and finger tighten.
3. Attach side panels to the fan panel, making sure they overlap the bottom panel for weatherproofing. Install weldnuts, neoprene washers and hex nuts. Finger tighten all fasteners.
4. Attach the top panels to the fan panel, assuring the formed edges overlap the side panels for weatherproofing. Install weldstuds, neoprene washers and hex nuts. Finger tighten all fasteners.
5. Install caplugs in the unused holes of the top and side panels to keep the wall housing weathertight. Unused holes in the bottom panel are used as drain holes. Tighten all fasteners securely.
6. A versatile feature of the Greenheck wall housing is a mounting flange which may be used in either a standard arrangement (Figure 5) or moved anywhere along the housing. This permits the distance the wall housing protrudes outside or inside the wall to be varied.  
5/16 inch holes must be drilled in the housing if the factory punched holes are not used.
7. Conduit holes are provided in each end of standard housings.

## Damper Installation

To install an optional damper, refer to Figure 6. Using a pneumatic or electric drill, run the self-drilling screws through the holes provided in the side and bottom damper flanges into the wall housing. Check damper for freedom of movement. If an optional damper guard or weatherhood is to be installed, refer to the next section.

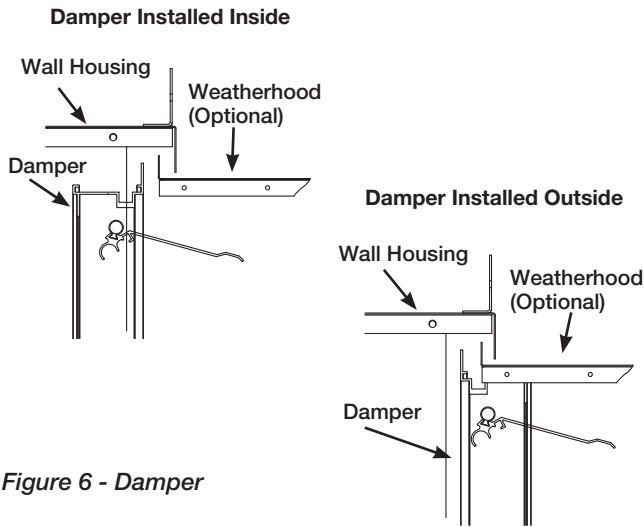


Figure 6 - Damper

## Damper Guard or Weatherhood Installation

To install the damper guard, center guard over damper and fasten to wall housing using the self-drilling screws. Refer to Figure 7.

To install the weatherhood, slide the top flange of weatherhood under the flange of wall housing, see Figure 6, and fasten with self-drilling screws.

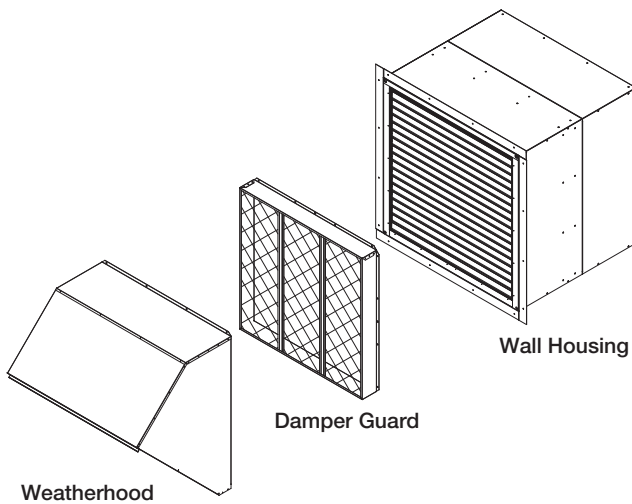


Figure 7 - Damper Guard or Weatherhood

## Wall Housing Guard Installation

Attach wall housing guard to wall housing using the 1/4-20 x 3/4 thread cutting screw with washer. Refer to Figure 8.

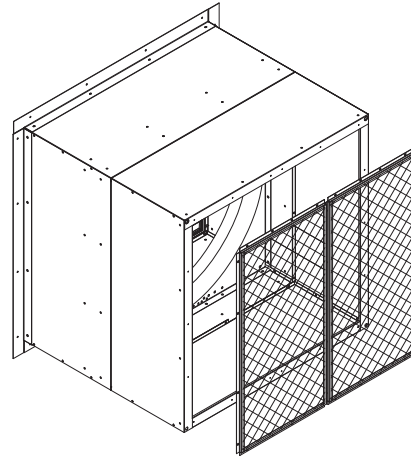


Figure 8 - Wall Housing Guard

## Fit for Sidewall Propeller Fan Accessories

Figure 9 reveals the correct fit for sidewall propeller fans after all optional accessories have been assembled and installed.



Figure 9 - Sidewall Propeller Fan Accessories



Phone: (715) 359-6171 • Fax: (715) 355-2399 • E-mail: [gfcinfo@greenheck.com](mailto:gfcinfo@greenheck.com) • Web site: [www.greenheck.com](http://www.greenheck.com)