

Centrifugal Downblast Exhaust Fan, Product # GB-200-LMD130XQD, 1707-6640 CFM

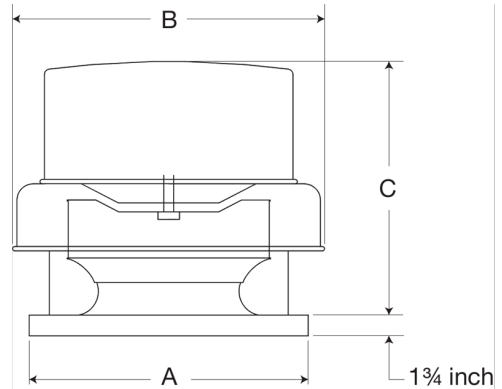


Model GB, belt drive centrifugal roof exhaust fans are designed to meet the general clean air exhaust requirements for industrial and commercial buildings. Units feature a fully rolled windband bead for increased stability and easy transport. Fresh outside air is drawn in under the motor cover to maximize motor life.

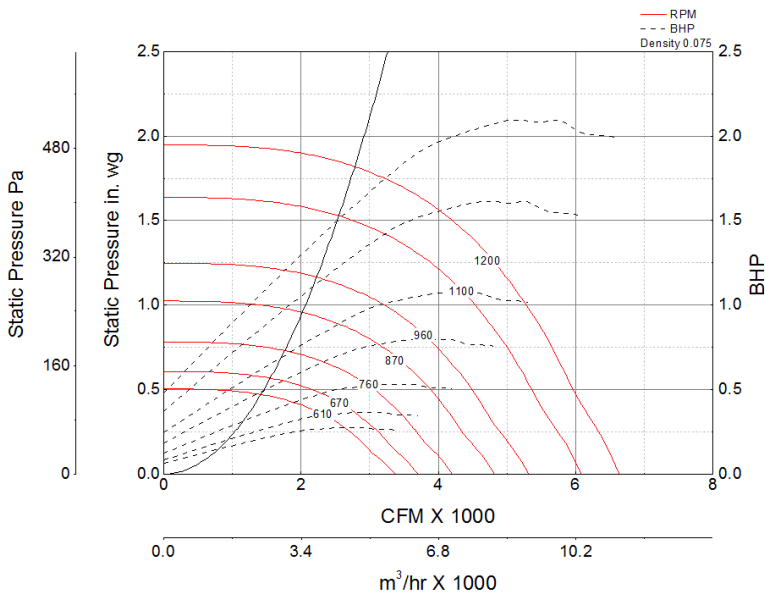
- 30 x 30 inch base with prepunched mounting holes for easy attachment to roof curb
- Multiple motor and drive options available to meet any performance and application need
- 26.5 x 26.5 inch recommended roof opening

Certifications

Seismic
AMCA Sound & Air
High Wind and Hurricane
UL/cUL 705



Performance Characteristics



Note: The maximum FRPM for each motor horsepower is shown. For additional performance ranges available for this fan, refer to the performance table.

Construction Features

Drive Type	Belt Drive
Impeller Type	Centrifugal Wheel
Impeller Material	Aluminum
Housing Material	Spun Aluminum
Certifications	Seismic
Certifications	AMCA Sound & Air
Certifications	High Wind and Hurricane
Certifications	UL/cUL 705
Drive Package Description	No drive package included
Required Accessory	Roof curb for new installations

Motor Information

Motor Included	No
----------------	----

Air and Sound Performance

Motor HP	Max BHP	Max Fan RPM	Min Fan RPM	Ps (in. wg)	0	0.125	0.25	0.375	0.5	0.625	0.75	0.875	1	1.25	1.5	1.75
1/4	0.14	490	450	CFM	2,712	2,308	1,707	2,203	2,146	2,528	3,198	2,616	3,182	3,866	4,177	3,077
				Sones	7.1	6.5	5.2	6.4	6.8	9	11.2	11.6	13	16.3	18.9	16.9
1/4	0.27	610	490	CFM	2,712	2,308	1,707	2,203	2,146	2,528	3,198	2,616	3,182	3,866	4,177	3,077
				Sones	7.1	6.5	5.2	6.4	6.8	9	11.2	11.6	13	16.3	18.9	16.9
1/3	0.19	540	470	CFM	2,712	2,308	1,707	2,203	2,146	2,528	3,198	2,616	3,182	3,866	4,177	3,077
				Sones	7.1	6.5	5.2	6.4	6.8	9	11.2	11.6	13	16.3	18.9	16.9
1/3	0.36	670	540	CFM	2,712	2,308	1,707	2,203	2,146	2,528	3,198	2,616	3,182	3,866	4,177	3,077
				Sones	7.1	6.5	5.2	6.4	6.8	9	11.2	11.6	13	16.3	18.9	16.9
1/2	0.53	760	610	CFM	2,712	2,308	1,707	2,203	2,146	2,528	3,198	2,616	3,182	3,866	4,177	3,077
				Sones	7.1	6.5	5.2	6.4	6.8	9	11.2	11.6	13	16.3	18.9	16.9
3/4	0.41	700	640	CFM	2,712	2,308	1,707	2,203	2,146	2,528	3,198	2,616	3,182	3,866	4,177	3,077
				Sones	7.1	6.5	5.2	6.4	6.8	9	11.2	11.6	13	16.3	18.9	16.9
3/4	0.80	870	700	CFM	2,712	2,308	1,707	2,203	2,146	2,528	3,198	2,616	3,182	3,866	4,177	3,077
				Sones	7.1	6.5	5.2	6.4	6.8	9	11.2	11.6	13	16.3	18.9	16.9
1	0.29	620	600	CFM	2,712	2,308	1,707	2,203	2,146	2,528	3,198	2,616	3,182	3,866	4,177	3,077
				Sones	7.1	6.5	5.2	6.4	6.8	9	11.2	11.6	13	16.3	18.9	16.9
1	0.55	770	620	CFM	2,712	2,308	1,707	2,203	2,146	2,528	3,198	2,616	3,182	3,866	4,177	3,077
				Sones	7.1	6.5	5.2	6.4	6.8	9	11.2	11.6	13	16.3	18.9	16.9
1	1.07	960	770	CFM	2,712	2,308	1,707	2,203	2,146	2,528	3,198	2,616	3,182	3,866	4,177	3,077
				Sones	7.1	6.5	5.2	6.4	6.8	9	11.2	11.6	13	16.3	18.9	16.9
1 1/2	0.82	880	810	CFM	2,712	2,308	1,707	2,203	2,146	2,528	3,198	2,616	3,182	3,866	4,177	3,077
				Sones	7.1	6.5	5.2	6.4	6.8	9	11.2	11.6	13	16.3	18.9	16.9
1 1/2	1.61	1100	880	CFM	2,712	2,308	1,707	2,203	2,146	2,528	3,198	2,616	3,182	3,866	4,177	3,077
				Sones	7.1	6.5	5.2	6.4	6.8	9	11.2	11.6	13	16.3	18.9	16.9
2	2.09	1200	960	CFM	2,712	2,308	1,707	2,203	2,146	2,528	3,198	2,616	3,182	3,866	4,177	3,077
				Sones	7.1	6.5	5.2	6.4	6.8	9	11.2	11.6	13	16.3	18.9	16.9



- Greenheck Fan Corporation certifies that the model shown herein is licensed to bear the AMCA Seal. The ratings shown are based on tests and procedures performed in accordance with AMCA Publication 211 and AMCA Publication 311 and comply with the requirements of the AMCA Certified Ratings Program.
- Performance certified is for installation type A: Free inlet, Free outlet.
- Power rating (BHP/kW) includes transmission losses.
- Performance ratings include the effects of birdscreen.
- The sound ratings shown are loudness values in fan sones at 5 ft. (1.5 m) in a hemispherical free field calculated per AMCA Standard 301. Values shown are for installation type A: free inlet hemispherical sone levels.