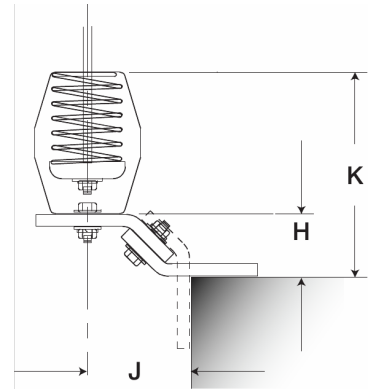


Vibration Isolation Kit, Spring Hanging, SH-1-245, Brown, Product # 850346



Complete hanging isolation kit with spring isolators to reduce vibration and sound levels. Support brackets included are designed to permit mounting of the fan with the motor located on top, bottom or side.

Certifications



Performance Characteristics

No Fan Curve Available.