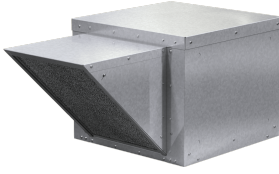


Centrifugal Supply Fan, Model SAF-118, Belt Drive, Less Motor & Drive Package, 3308-9430 CFM

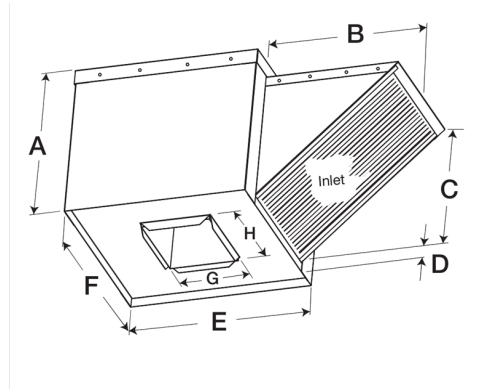


Model SAF is a filtered supply fan designed to provide non-tempered make-up air to commercial or industrial buildings, including commercial kitchen applications. Fresh outdoor air is supplied to replace air lost through hood exhaust or general building ventilation.

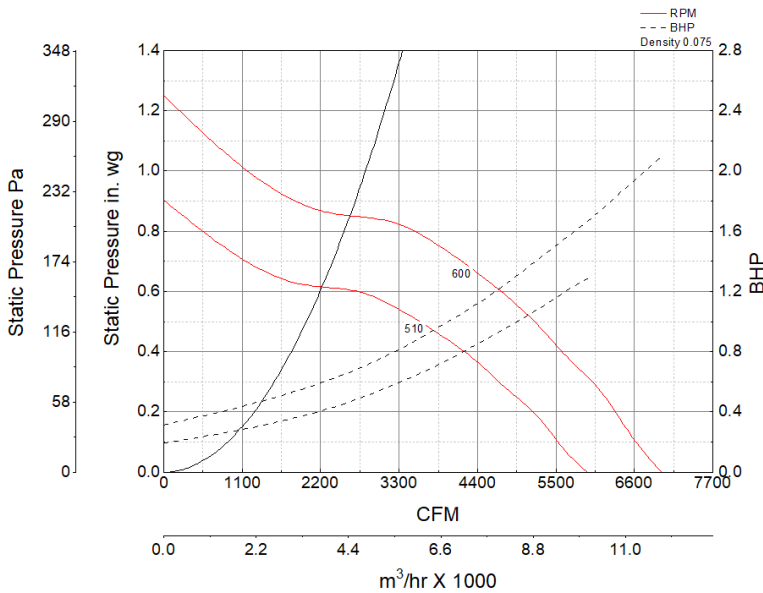
- 42 x 42 inch base with prepunched mounting holes for easy attachment to roof curb
- Multiple motor and drive options available to meet any performance and application need
- 32.5 x 32.5 inch recommended roof opening

Certifications

AMCA Sound & Air
UL/cUL 705



Performance Characteristics



Construction Features

Drive Type	Belt Drive
Impeller Type	Forward Curved Wheel
Impeller Material	Aluminum
Housing Material	Galvanized Steel
Includes	Access Panels
Includes	Washable, aluminum 1-inch filters
Certifications	AMCA Sound & Air
Certifications	UL/cUL 705
Drive Package Description	No drive package included
Required Accessory	Roof curb for new roof installations

Motor Information

Motor Included	No
----------------	----

Air and Sound Performance

Motor HP	Max BHP	Max Fan RPM	Min Fan RPM	Ps (in. wg)	0	0.125	0.25	0.375	0.5	0.625	0.75	0.875	1.00	1.25	1.50
1 1/2	1.53	540	480	CFM	6,287	5,817	5,356	4,809	4,173	3,308	3,843	4,842	4,104	5,731	4,423
				Sones	21	18.6	16.5	14.4	12.7	11.8	13.6	19.2	18.5	24	23
1 1/2	1.53	540	480	CFM	6,287	5,817	5,356	4,809	4,173	3,308	3,843	4,842	4,104	5,731	4,423
				Sones	21	18.6	16.5	14.4	12.7	11.8	13.6	19.2	18.5	24	23
2	2.10	600	510	CFM	6,287	5,817	5,356	4,809	4,173	3,308	3,843	4,842	4,104	5,731	4,423
				Sones	21	18.6	16.5	14.4	12.7	11.8	13.6	19.2	18.5	24	23
3	3.05	680	650	CFM	6,287	5,817	5,356	4,809	4,173	3,308	3,843	4,842	4,104	5,731	4,423
				Sones	21	18.6	16.5	14.4	12.7	11.8	13.6	19.2	18.5	24	23
5	5.16	810	690	CFM	6,287	5,817	5,356	4,809	4,173	3,308	3,843	4,842	4,104	5,731	4,423
				Sones	21	18.6	16.5	14.4	12.7	11.8	13.6	19.2	18.5	24	23