

## Centrifugal Supply Fan, Model SAF-118, Belt Drive, 3HP, 208-230/460V, 3Ph, Motor & Drives Unassembled, 4107-7917 CFM

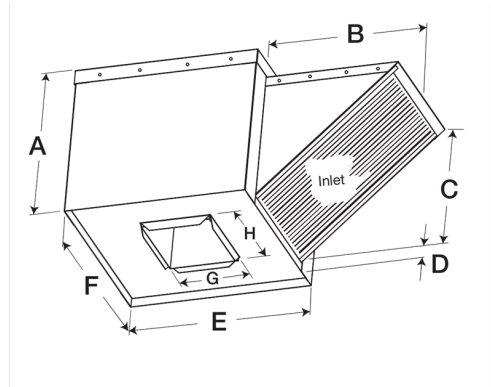


Model SAF is a filtered supply fan designed to provide non-tempered make-up air to commercial or industrial buildings, including commercial kitchen applications. Fresh outdoor air is supplied to replace air lost through hood exhaust or general building ventilation.

- 42 x 42 inch base with prepunched mounting holes for easy attachment to roof curb
- Permanent washable aluminum filters allow for many years of reliable use
- 32.5 x 32.5 inch recommended roof opening

### Certifications

AMCA Sound & Air  
UL/cUL 705



### Performance Characteristics

No Fan Curve Available.

### Construction Features

Drive Type	Belt Drive
Impeller Type	Forward Curved Wheel
Impeller Material	Aluminum
Housing Material	Galvanized Steel
Includes	Unassembled drive package
Includes	Access Panels
Includes	Washable, aluminum 1-inch filters
Certifications	AMCA Sound & Air
Certifications	UL/cUL 705
Drive Package Description	Motor and drives shipped loose
Required Accessory	Roof curb for new roof installations

### Motor Information

Service Factor	1.15
Phase	3
Voltage	208-230/460
HP	3
Motor Enclosure	Open Drip Proof
Motor Insulation	F
Thermal Protection	Thermostat
NEMA Frame Size	182T

### Air and Sound Performance

Motor HP	Max BHP	Max Fan RPM	Min Fan RPM	Ps (in. wg)	0	0.125	0.25	0.375	0.5	0.625	0.75	0.875	1.00
3	3.05	680	650	CFM	7,917	7,524	7,195	6,820	6,382	5,950	5,434	4,842	4,104
				Sones	29	28	26	25	23	22	21	19.2	18.5