

Centrifugal Upblast Exhaust Fan, Model CUBE-240, Belt Drive, 1/2HP, 115/208-230V, 1Ph, Motor & Drives Unassembled, 3156-5530 CFM

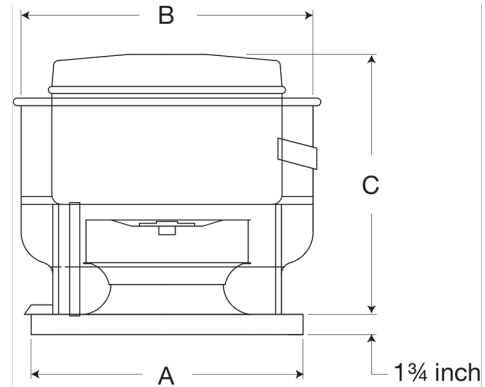


The CUBE is an aluminum exhaust fan specifically designed for roof or sidewall mounted applications where contaminated or grease laden exhaust air can be discharged directly upward, away from the roof or wall surface. The fans feature a one piece windband continuously welded to curb cap and double studded isolators for true vibration isolation.

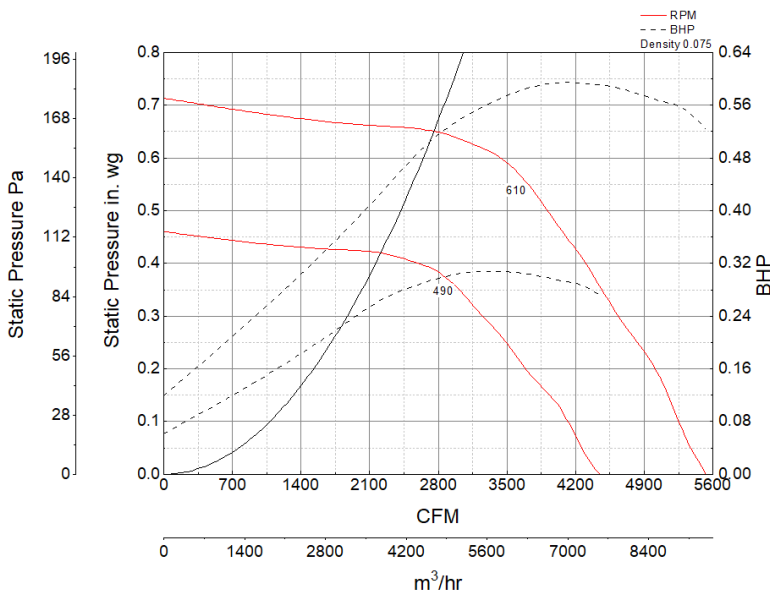
- 34 x 34 inch base with prepunched mounting holes for easy attachment to roof curb
- 30.5 x 30.5 inch recommended roof opening
- Roof or wall mountable

Certifications

AMCA Sound & Air
UL/cUL 705 Listed - Supplement SC - "Power Ventilators for Restaurant Exh. Appliances" (Formerly UL 762)



Performance Characteristics



Construction Features

| | |
|---------------------------|--|
| Drive Type | Belt Drive |
| Impeller Type | Centrifugal Wheel |
| Impeller Material | Aluminum |
| Housing Material | Spun Aluminum |
| Includes | Unassembled drive package |
| Certifications | AMCA Sound & Air |
| Certifications | UL/cUL 705 Listed - Supplement SC - "Power Ventilators for Restaurant Exh. Appliances" (Formerly UL 762) |
| Drive Package Description | Motor and drives shipped loose |
| Required Accessory | Roof curb for new roof installations |

Motor Information

| | |
|--------------------|-----------------|
| Service Factor | 1.15 |
| Phase | 1 |
| Voltage | 115/208-230 |
| HP | 1/2 |
| Motor Enclosure | Open Drip Proof |
| Motor Insulation | B |
| Thermal Protection | AutoOverload |
| NEMA Frame Size | 48 |

Air and Sound Performance

| Motor HP | Max BHP | Max Fan RPM | Min Fan RPM | Ps (in. wg) | 0 | 0.125 | 0.25 | 0.375 | 0.5 | 0.625 |
|----------|---------|-------------|-------------|-------------|-------|-------|-------|-------|-------|-------|
| 1/2 | 0.59 | 610 | 490 | CFM | 5,530 | 5,198 | 4,814 | 4,388 | 3,902 | 3,156 |
| | | | | Sones | 12.3 | 11.4 | 10.7 | 9.9 | 9.3 | 8.8 |



- Greenheck Fan Corporation certifies that the model shown herein is licensed to bear the AMCA Seal.
- The ratings shown are based on tests and procedures performed in accordance with AMCA Publication 211 and AMCA Publication 311 and comply with the requirements of the AMCA Certified Ratings Program.
- Performance certified is for installation type A: Free inlet, Free outlet.
- Power rating (BHP/kW) includes transmission losses.
- Performance ratings do not include the effects of appurtenances (accessories).
- The sound ratings shown are loudness values in fan sones at 5 ft. (1.5 m) in a hemispherical free field calculated per AMCA Standard 301. Values shown are for installation type A: free inlet hemispherical sone levels.