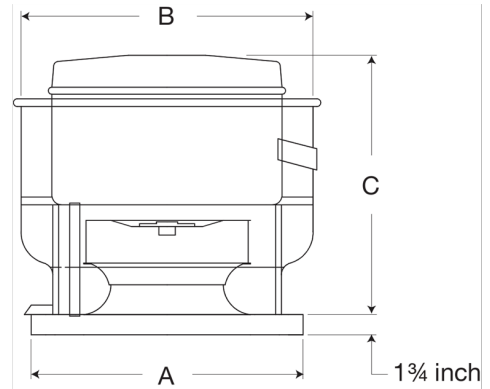


Centrifugal Upblast Exhaust Fan, Product # CUBE-200-LMD130GQD, 1723-6806 CFM



The CUBE is an aluminum exhaust fan specifically designed for roof or sidewall mounted applications where contaminated or grease laden exhaust air can be discharged directly upward, away from the roof or wall surface. The fans feature a one piece windband continuously welded to curb cap and double studded isolators for true vibration isolation.

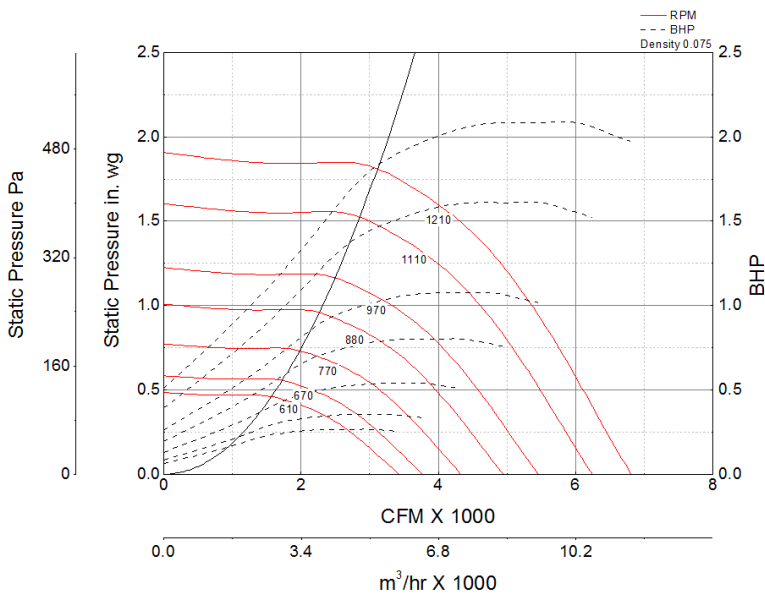
- 30 x 30 inch base with prepunched mounting holes for easy attachment to roof curb
- Multiple motor and drive options available to meet any performance and application need
- 26.5 x 26.5 inch recommended roof opening



Certifications

AMCA Sound & Air
UL/cUL 705 Listed - Supplement SC - "Power Ventilators for Restaurant Exh. Appliances" (Formerly UL 762)

Performance Characteristics



Note: The maximum FRPM for each motor horsepower is shown. For additional performance ranges available for this fan, refer to the performance table.

Construction Features

Drive Type	Belt Drive
Impeller Type	Centrifugal Wheel
Impeller Material	Aluminum
Housing Material	Spun Aluminum
Includes	Disconnect switch
Certifications	AMCA Sound & Air
Certifications	UL/cUL 705 Listed - Supplement SC - "Power Ventilators for Restaurant Exh. Appliances" (Formerly UL 762)
Drive Package Description	No drive package included
Required Accessory	Roof curb for new roof installations

Motor Information

Motor Included	No
----------------	----

Air and Sound Performance

Motor HP	Max BHP	Max Fan RPM	Min Fan RPM	Ps (in. wg)	0	0.125	0.25	0.375	0.5	0.625	0.75	0.875	1	1.25	1.5	1.75
1/4	0.27	610	500	CFM	3,431	3,085	2,711	2,203	2,134	2,637	3,285	2,746	3,288	3,979	2,936	3,365
				Sones	8.3	7.7	6.9	6.3	7.3	9.4	12.8	12.8	14.9	19.3	20	21
1/3	0.19	540	520	CFM	3,431	3,085	2,711	2,203	2,134	2,637	3,285	2,746	3,288	3,979	2,936	3,365
				Sones	8.3	7.7	6.9	6.3	7.3	9.4	12.8	12.8	14.9	19.3	20	21
1/3	0.35	670	540	CFM	3,431	3,085	2,711	2,203	2,134	2,637	3,285	2,746	3,288	3,979	2,936	3,365
				Sones	8.3	7.7	6.9	6.3	7.3	9.4	12.8	12.8	14.9	19.3	20	21
1/2	0.28	620	500	CFM	3,431	3,085	2,711	2,203	2,134	2,637	3,285	2,746	3,288	3,979	2,936	3,365
				Sones	8.3	7.7	6.9	6.3	7.3	9.4	12.8	12.8	14.9	19.3	20	21
1/2	0.54	770	620	CFM	3,431	3,085	2,711	2,203	2,134	2,637	3,285	2,746	3,288	3,979	2,936	3,365
				Sones	8.3	7.7	6.9	6.3	7.3	9.4	12.8	12.8	14.9	19.3	20	21
3/4	0.22	570	530	CFM	3,431	3,085	2,711	2,203	2,134	2,637	3,285	2,746	3,288	3,979	2,936	3,365
				Sones	8.3	7.7	6.9	6.3	7.3	9.4	12.8	12.8	14.9	19.3	20	21
3/4	0.42	710	570	CFM	3,431	3,085	2,711	2,203	2,134	2,637	3,285	2,746	3,288	3,979	2,936	3,365
				Sones	8.3	7.7	6.9	6.3	7.3	9.4	12.8	12.8	14.9	19.3	20	21
3/4	0.80	880	710	CFM	3,431	3,085	2,711	2,203	2,134	2,637	3,285	2,746	3,288	3,979	2,936	3,365
				Sones	8.3	7.7	6.9	6.3	7.3	9.4	12.8	12.8	14.9	19.3	20	21
1	0.56	780	660	CFM	3,431	3,085	2,711	2,203	2,134	2,637	3,285	2,746	3,288	3,979	2,936	3,365
				Sones	8.3	7.7	6.9	6.3	7.3	9.4	12.8	12.8	14.9	19.3	20	21
1	1.07	970	780	CFM	3,431	3,085	2,711	2,203	2,134	2,637	3,285	2,746	3,288	3,979	2,936	3,365
				Sones	8.3	7.7	6.9	6.3	7.3	9.4	12.8	12.8	14.9	19.3	20	21
1 1/2	82.00	890	760	CFM	3,431	3,085	2,711	2,203	2,134	2,637	3,285	2,746	3,288	3,979	2,936	3,365
				Sones	8.3	7.7	6.9	6.3	7.3	9.4	12.8	12.8	14.9	19.3	20	21
1 1/2	1.61	1110	890	CFM	3,431	3,085	2,711	2,203	2,134	2,637	3,285	2,746	3,288	3,979	2,936	3,365
				Sones	8.3	7.7	6.9	6.3	7.3	9.4	12.8	12.8	14.9	19.3	20	21
2	2.09	1210	970	CFM	3,431	3,085	2,711	2,203	2,134	2,637	3,285	2,746	3,288	3,979	2,936	3,365
				Sones	8.3	7.7	6.9	6.3	7.3	9.4	12.8	12.8	14.9	19.3	20	21



- Greenheck Fan Corporation certifies that the model shown herein is licensed to bear the AMCA Seal.
- The ratings shown are based on tests and procedures performed in accordance with AMCA Publication 211 and AMCA Publication 311 and comply with the requirements of the AMCA Certified Ratings Program.
- Performance certified is for installation type A: Free inlet, Free outlet.
- Power rating (BHP/kW) includes transmission losses.
- Performance ratings do not include the effects of appurtenances (accessories).
- The sound ratings shown are loudness values in fan sones at 5 ft. (1.5 m) in a hemispherical free field calculated per AMCA Standard 301. Values shown are for installation type A: free inlet hemispherical sone levels.