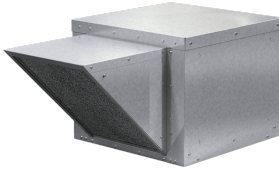


Centrifugal Supply Fan, Product # SAF-115-7X-3-QD-DR1, 1733-3673 CFM

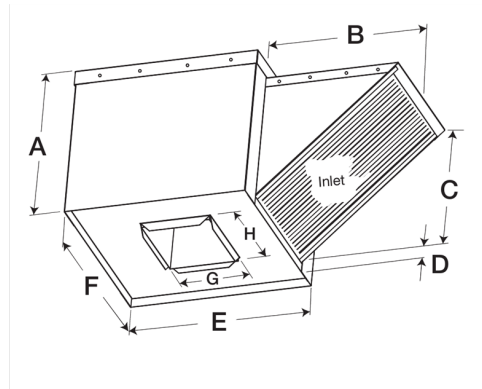


Model SAF is a filtered supply fan designed to provide non-tempered make-up air to commercial or industrial buildings, including commercial kitchen applications. Fresh outdoor air is supplied to replace air lost through hood exhaust or general building ventilation.

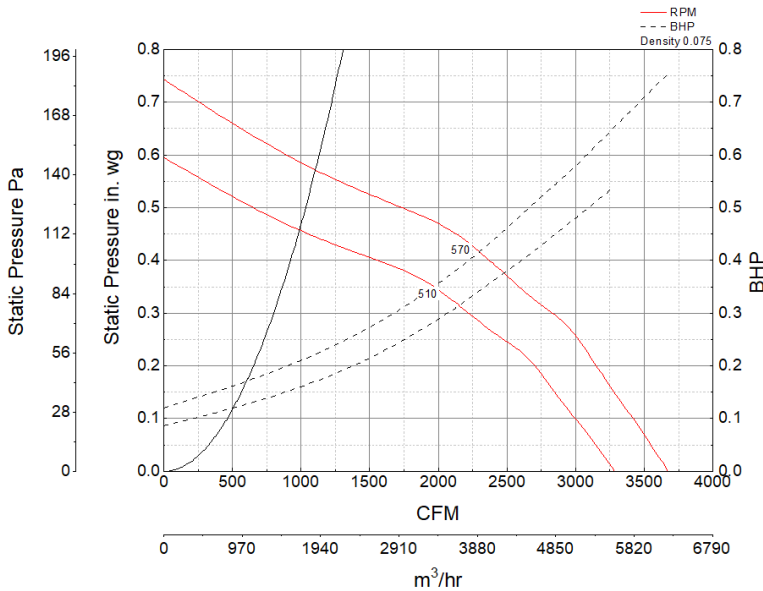
- 34.5 x 34.5 inch base with prepunched mounting holes for easy attachment to roof curb
- Permanent washable aluminum filters allow for many years of reliable use
- 26.5 x 26.5 inch recommended roof opening

Certifications

AMCA Sound & Air
UL/cUL 705



Performance Characteristics



Construction Features

| | |
|---------------------------|--------------------------------------|
| Drive Type | Belt Drive |
| Impeller Type | Forward Curved Wheel |
| Impeller Material | Aluminum |
| Housing Material | Galvanized Steel |
| Includes | Access Panels |
| Includes | Unassembled drive package |
| Includes | Washable, aluminum 1-inch filters |
| Certifications | AMCA Sound & Air |
| Certifications | UL/cUL 705 |
| Drive Package Description | Motor and drives shipped loose |
| Required Accessory | Roof curb for new roof installations |

Motor Information

| | |
|--------------------|-----------------|
| Service Factor | 1.25 |
| Phase | 3 |
| Voltage | 208-230/460 |
| HP | 3/4 |
| Motor Enclosure | Open Drip Proof |
| Motor Insulation | B |
| Thermal Protection | AutoOverload |
| NEMA Frame Size | 56 |

Air and Sound Performance

| Motor HP | Max BHP | Max Fan RPM | Min Fan RPM | P _s (in. wg) | 0 | 0.125 | 0.25 | 0.375 | 0.5 |
|----------|---------|-------------|-------------|-------------------------|-------|-------|-------|-------|-------|
| 3/4 | 0.75 | 570 | 510 | CFM | 3,673 | 3,351 | 3,016 | 2,482 | 1,733 |
| | | | | Sones | 17.3 | 15.6 | 13.6 | 11.8 | 10.5 |