

## Centrifugal Supply Fan, Model SAF-112, Belt Drive, 3/4HP, 115/208-230V, 1Ph, Motor & Drives Unassembled, 1944-3284 CFM

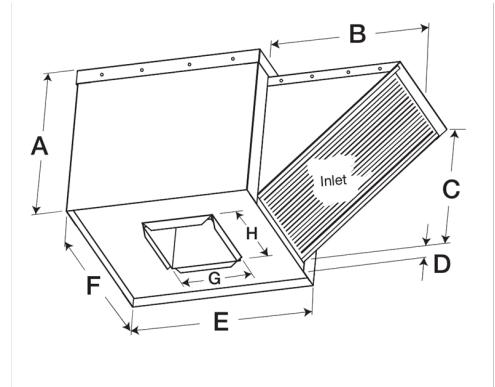


Model SAF is a filtered supply fan designed to provide non-tempered make-up air to commercial or industrial buildings, including commercial kitchen applications. Fresh outdoor air is supplied to replace air lost through hood exhaust or general building ventilation.

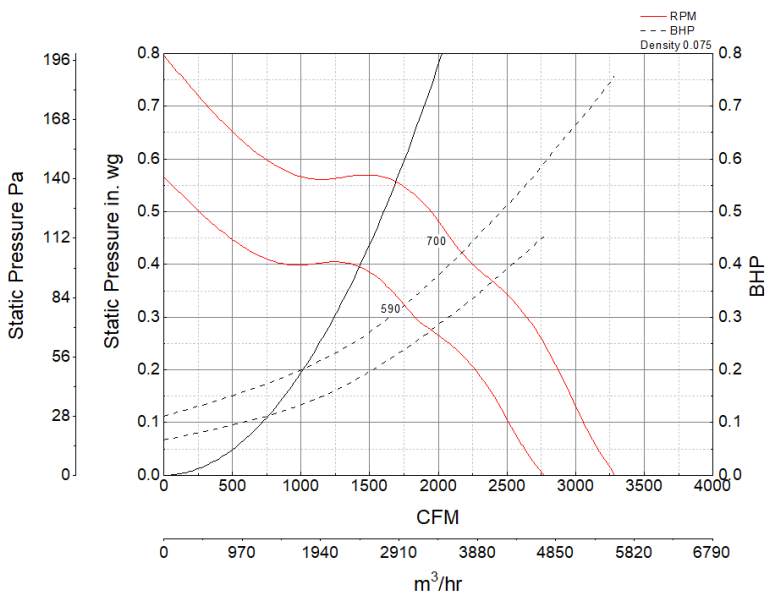
- 34.5 x 34.5 inch base with prepunched mounting holes for easy attachment to roof curb
- Permanent washable aluminum filters allow for many years of reliable use
- 20.5 x 20.5 inch recommended roof opening

### Certifications

AMCA Sound & Air  
UL/cUL 705



### Performance Characteristics



### Construction Features

Drive Type	Belt Drive
Impeller Type	Forward Curved Wheel
Impeller Material	Aluminum
Housing Material	Galvanized Steel
Includes	Access Panels
Includes	Unassembled drive package
Includes	Washable, aluminum 1-inch filters
Certifications	AMCA Sound & Air
Certifications	UL/cUL 705
Drive Package Description	Motor and drives shipped loose
Required Accessory	Roof curb for new roof installations

### Motor Information

Service Factor	1.25
Phase	1
Voltage	115/208-230
HP	3/4
Motor Enclosure	Open Drip Proof
Motor Insulation	B
Thermal Protection	AutoOverload
NEMA Frame Size	56

### Air and Sound Performance

Motor HP	Max BHP	Max Fan RPM	Min Fan RPM	Ps (in. wg)	0	0.125	0.25	0.375	0.5
3/4	0.76	700	590	CFM	3,284	3,014	2,763	2,367	1,944
				Sones	22	20	20	18	15.5