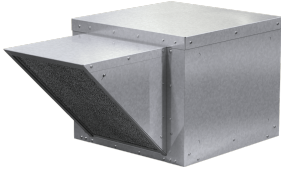


Centrifugal Supply Fan, Model SAF-110, Belt Drive, Less Motor & Drive Package, 893-2837 CFM

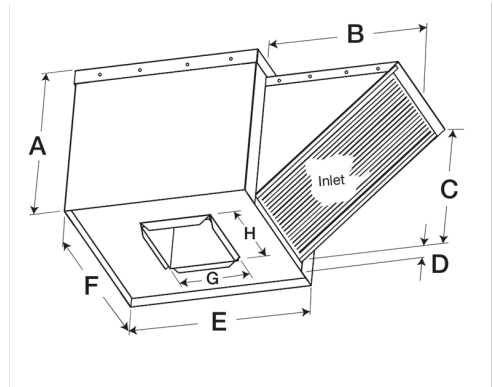


Model SAF is a filtered supply fan designed to provide non-tempered make-up air to commercial or industrial buildings, including commercial kitchen applications. Fresh outdoor air is supplied to replace air lost through hood exhaust or general building ventilation.

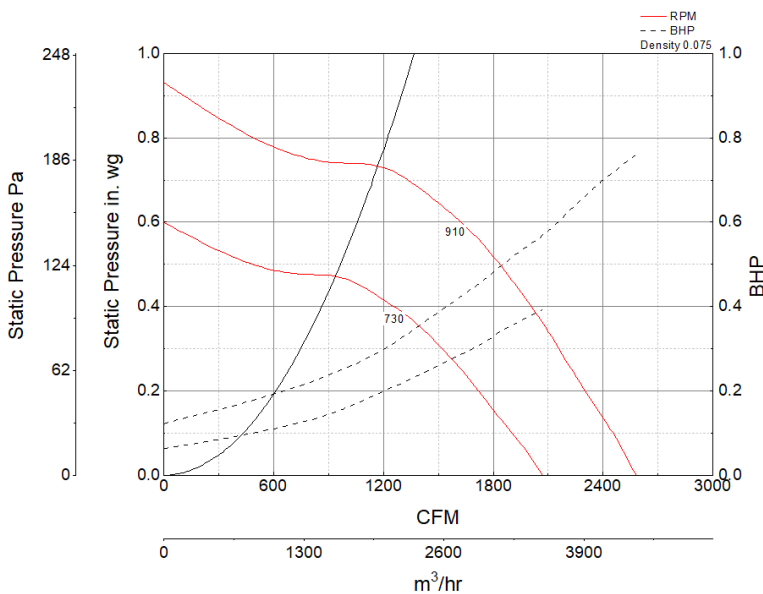
- 30 x 30 inch base with prepunched mounting holes for easy attachment to roof curb
- Multiple motor and drive options available to meet any performance and application need
- 16.5 x 16.5 inch recommended roof opening

Certifications

AMCA Sound & Air
UL/cUL 705



Performance Characteristics



Construction Features

Drive Type	Belt Drive
Impeller Type	Forward Curved Wheel
Impeller Material	Aluminum
Housing Material	Galvanized Steel
Includes	Access Panels
Includes	Washable, aluminum 1-inch filters
Certifications	AMCA Sound & Air
Certifications	UL/cUL 705
Drive Package Description	No drive package included
Required Accessory	Roof curb for new roof installations

Motor Information

Motor Included	No
----------------	----

Air and Sound Performance

Motor HP	Max BHP	Max Fan RPM	Min Fan RPM	Ps (in. wg)	0	0.00	0.125	0.25	0.375	0.5	0.625	0.75	0.8750	0.88
1/4	0.13	510	430	CFM	1,447	1,787	1,125	1,240	1,175	1,313	1,549	1,714	1,349	1,349
				Sones	12.9	13.9	11	11.1	11.5	11.4	12.7	14.8	13.6	13.6
1/4	0.25	630	510	CFM	1,447	1,787	1,125	1,240	1,175	1,313	1,549	1,714	1,349	1,349
				Sones	12.9	13.9	11	11.1	11.5	11.4	12.7	14.8	13.6	13.6
1/3	0.18	560	450	CFM	1,447	1,787	1,125	1,240	1,175	1,313	1,549	1,714	1,349	1,349
				Sones	12.9	13.9	11	11.1	11.5	11.4	12.7	14.8	13.6	13.6
1/3	0.35	700	560	CFM	1,447	1,787	1,125	1,240	1,175	1,313	1,549	1,714	1,349	1,349
				Sones	12.9	13.9	11	11.1	11.5	11.4	12.7	14.8	13.6	13.6
1/2	0.26	640	540	CFM	1,447	1,787	1,125	1,240	1,175	1,313	1,549	1,714	1,349	1,349
				Sones	12.9	13.9	11	11.1	11.5	11.4	12.7	14.8	13.6	13.6
1/2	0.26	640	540	CFM	1,447	1,787	1,125	1,240	1,175	1,313	1,549	1,714	1,349	1,349
				Sones	12.9	13.9	11	11.1	11.5	11.4	12.7	14.8	13.6	13.6
1/2	0.52	800	640	CFM	1,447	1,787	1,125	1,240	1,175	1,313	1,549	1,714	1,349	1,349
				Sones	12.9	13.9	11	11.1	11.5	11.4	12.7	14.8	13.6	13.6
1/2	0.52	800	640	CFM	1,447	1,787	1,125	1,240	1,175	1,313	1,549	1,714	1,349	1,349
				Sones	12.9	13.9	11	11.1	11.5	11.4	12.7	14.8	13.6	13.6
3/4	0.76	910	730	CFM	1,447	1,787	1,125	1,240	1,175	1,313	1,549	1,714	1,349	1,349
				Sones	12.9	13.9	11	11.1	11.5	11.4	12.7	14.8	13.6	13.6
3/4	0.76	910	730	CFM	1,447	1,787	1,125	1,240	1,175	1,313	1,549	1,714	1,349	1,349
				Sones	12.9	13.9	11	11.1	11.5	11.4	12.7	14.8	13.6	13.6
1	0.52	800	750	CFM	1,447	1,787	1,125	1,240	1,175	1,313	1,549	1,714	1,349	1,349
				Sones	12.9	13.9	11	11.1	11.5	11.4	12.7	14.8	13.6	13.6
1	0.52	800	750	CFM	1,447	1,787	1,125	1,240	1,175	1,313	1,549	1,714	1,349	1,349
				Sones	12.9	13.9	11	11.1	11.5	11.4	12.7	14.8	13.6	13.6
1	1.01	1000	800	CFM	1,447	1,787	1,125	1,240	1,175	1,313	1,549	1,714	1,349	1,349
				Sones	12.9	13.9	11	11.1	11.5	11.4	12.7	14.8	13.6	13.6
1	1.01	1000	800	CFM	1,447	1,787	1,125	1,240	1,175	1,313	1,549	1,714	1,349	1,349
				Sones	12.9	13.9	11	11.1	11.5	11.4	12.7	14.8	13.6	13.6