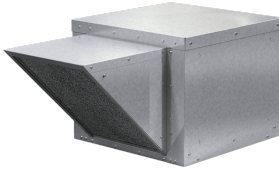


Centrifugal Supply Fan, Product # SAF-118-15X-QD-DR1, 3308-6287 CFM

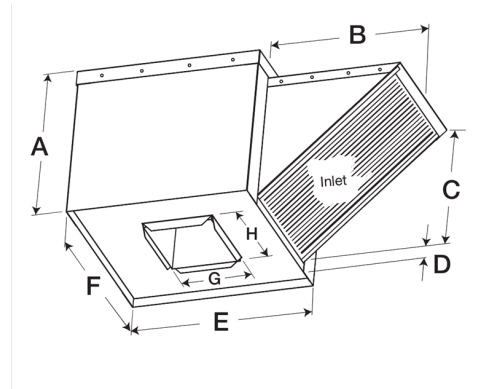


Model SAF is a filtered supply fan designed to provide non-tempered make-up air to commercial or industrial buildings, including commercial kitchen applications. Fresh outdoor air is supplied to replace air lost through hood exhaust or general building ventilation.

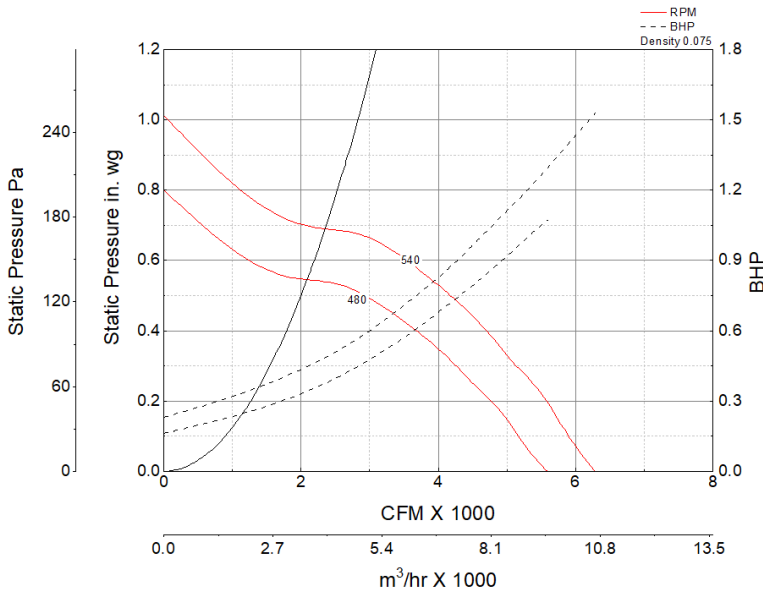
- 42 x 42 inch base with prepunched mounting holes for easy attachment to roof curb
- Permanent washable aluminum filters allow for many years of reliable use
- 32.5 x 32.5 inch recommended roof opening

Certifications

AMCA Sound & Air
UL/cUL 705



Performance Characteristics



Construction Features

Drive Type	Belt Drive
Impeller Type	Forward Curved Wheel
Impeller Material	Aluminum
Housing Material	Galvanized Steel
Includes	Access Panels
Includes	Unassembled drive package
Includes	Washable, aluminum 1-inch filters
Certifications	AMCA Sound & Air
Certifications	UL/cUL 705
Drive Package Description	Motor and drives shipped loose
Required Accessory	Roof curb for new roof installations

Motor Information

Phase	1
Voltage	115/208-230
HP	1 1/2
Motor Enclosure	Open Drip Proof
Motor Insulation	B
Thermal Protection	AutoOverload

Air and Sound Performance

Motor HP	Max BHP	Max Fan RPM	Min Fan RPM	Ps (in. wg)	0	0.125	0.25	0.375	0.5	0.625
1 1/2	1.53	540	480	CFM	6,287	5,817	5,356	4,809	4,173	3,308
				Sones	21	18.6	16.5	14.4	12.7	11.8