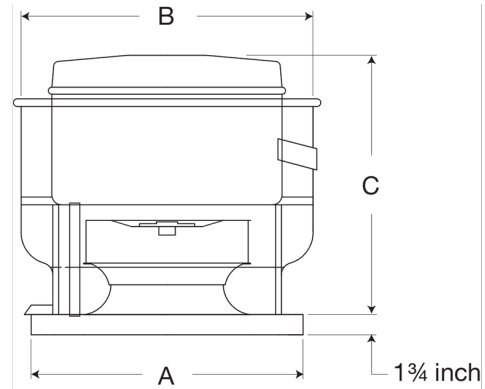


Centrifugal Upblast Exhaust Fan, Product # CUBE-140-7122G3QD-DR2, 1162-2989 CFM



The CUBE is an aluminum exhaust fan specifically designed for roof or sidewall mounted applications where contaminated or grease laden exhaust air can be discharged directly upward, away from the roof or wall surface. The fans feature a one piece windband continuously welded to curb cap and double studed isolators for true vibration isolation.

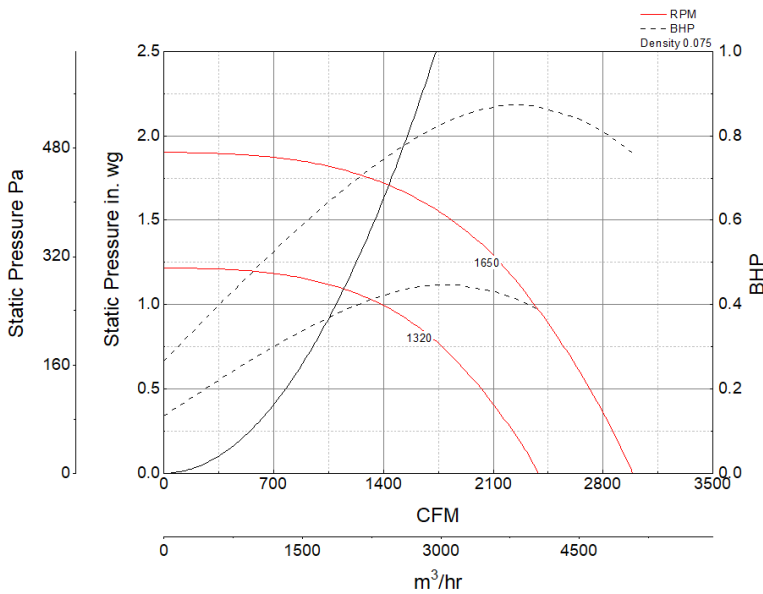
- 22 x 22 inch base with prepunched mounting holes for easy attachment to roof curb
- 18.5 x 18.5 inch recommended roof opening
- Roof or wall mountable



Certifications

AMCA Sound & Air
UL/cUL 705 Listed - Supplement SC - "Power Ventilators for Restaurant Exh. Appliances" (Formerly UL 762)

Performance Characteristics



Construction Features

| | |
|---------------------------|--|
| Drive Type | Belt Drive |
| Impeller Type | Centrifugal Wheel |
| Impeller Material | Aluminum |
| Housing Material | Spun Aluminum |
| Includes | Unassembled drive package |
| Certifications | AMCA Sound & Air |
| Certifications | UL/cUL 705 Listed - Supplement SC - "Power Ventilators for Restaurant Exh. Appliances" (Formerly UL 762) |
| Drive Package Description | Motor and drives shipped loose |
| Required Accessory | Roof curb for new roof installations |

Motor Information

| | |
|------------------|-----------------|
| Service Factor | 1.25 |
| Phase | 3 |
| Voltage | 208-230/460 |
| HP | 3/4 |
| Motor Enclosure | Open Drip Proof |
| Motor Insulation | F |
| NEMA Frame Size | 56 |

Air and Sound Performance

| Motor HP | Max BHP | Max Fan RPM | Min Fan RPM | Ps (in. wg) | 0 | 0.125 | 0.25 | 0.375 | 0.5 | 0.625 | 0.75 | 0.875 | 1 | 1.25 | 1.5 | 1.75 |
|----------|---------|-------------|-------------|-------------|-----|-------|-------|-------|-------|-------|-------|-------|-------|-------|-------|-------|
| | | | | | CFM | 2,989 | 2,928 | 2,862 | 2,790 | 2,713 | 2,634 | 2,549 | 2,460 | 2,363 | 2,141 | 1,829 |
| 3/4 | 0.87 | 1650 | 1320 | Sones | 22 | 21 | 19.7 | 21 | 18.6 | 15.4 | 13.8 | 13.2 | 12.5 | 14 | 12.5 | 9.4 |