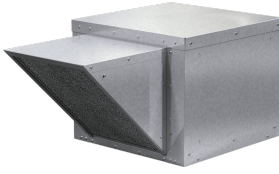


Centrifugal Supply Fan, Product # SAF-115-LMDX-QD, 1648-4864 CFM

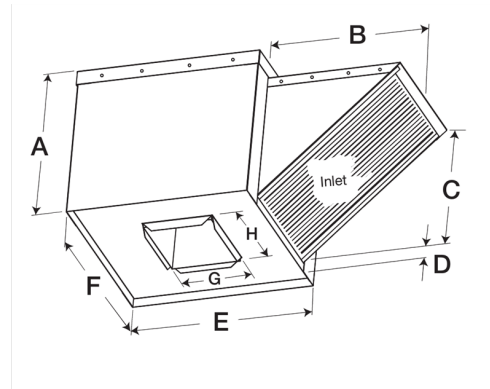


Model SAF is a filtered supply fan designed to provide non-tempered make-up air to commercial or industrial buildings, including commercial kitchen applications. Fresh outdoor air is supplied to replace air lost through hood exhaust or general building ventilation.

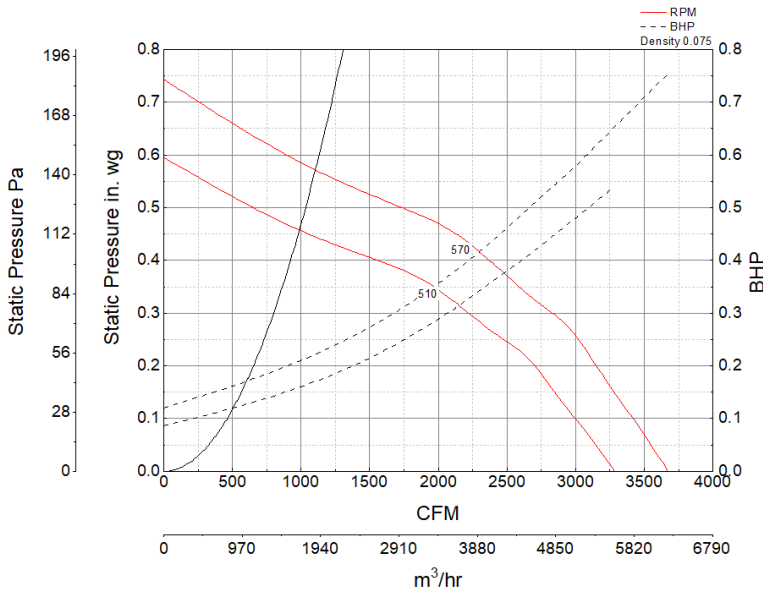
- 34.5 x 34.5 inch base with prepunched mounting holes for easy attachment to roof curb
- Multiple motor and drive options available to meet any performance and application need
- 26.5 x 26.5 inch recommended roof opening

Certifications

AMCA Sound & Air
UL/cUL 705



Performance Characteristics



Construction Features

Drive Type	Belt Drive
Impeller Type	Forward Curved Wheel
Impeller Material	Aluminum
Housing Material	Galvanized Steel
Includes	Access Panels
Includes	Washable, aluminum 1-inch filters
Certifications	AMCA Sound & Air
Certifications	UL/cUL 705
Drive Package Description	No drive package included
Required Accessory	Roof curb for new roof installations

Motor Information

Motor Included	No
----------------	----

Air and Sound Performance

Motor HP	Max BHP	Max Fan RPM	Min Fan RPM	Ps (in. wg)	0	0.125	0.25	0.375	0.5	0.625	0.75	0.875	1.00
1/2	0.51	500	440	CFM	3,222	2,850	2,370	1,607	1,733	1,802	2,483	1,648	2,149
				Sones	13.5	11.2	9.7	9.6	10.5	12.2	15.2	14.4	16
1/2	0.51	500	440	CFM	3,222	2,850	2,370	1,607	1,733	1,802	2,483	1,648	2,149
				Sones	13.5	11.2	9.7	9.6	10.5	12.2	15.2	14.4	16
3/4	0.75	570	510	CFM	3,222	2,850	2,370	1,607	1,733	1,802	2,483	1,648	2,149
				Sones	13.5	11.2	9.7	9.6	10.5	12.2	15.2	14.4	16
3/4	0.75	570	510	CFM	3,222	2,850	2,370	1,607	1,733	1,802	2,483	1,648	2,149
				Sones	13.5	11.2	9.7	9.6	10.5	12.2	15.2	14.4	16
1	1.02	630	520	CFM	3,222	2,850	2,370	1,607	1,733	1,802	2,483	1,648	2,149
				Sones	13.5	11.2	9.7	9.6	10.5	12.2	15.2	14.4	16
1	1.02	630	520	CFM	3,222	2,850	2,370	1,607	1,733	1,802	2,483	1,648	2,149
				Sones	13.5	11.2	9.7	9.6	10.5	12.2	15.2	14.4	16
1 1/2	0.79	580	520	CFM	3,222	2,850	2,370	1,607	1,733	1,802	2,483	1,648	2,149
				Sones	13.5	11.2	9.7	9.6	10.5	12.2	15.2	14.4	16
1 1/2	0.79	580	520	CFM	3,222	2,850	2,370	1,607	1,733	1,802	2,483	1,648	2,149
				Sones	13.5	11.2	9.7	9.6	10.5	12.2	15.2	14.4	16
1 1/2	1.52	720	580	CFM	3,222	2,850	2,370	1,607	1,733	1,802	2,483	1,648	2,149
				Sones	13.5	11.2	9.7	9.6	10.5	12.2	15.2	14.4	16
1 1/2	1.52	720	580	CFM	3,222	2,850	2,370	1,607	1,733	1,802	2,483	1,648	2,149
				Sones	13.5	11.2	9.7	9.6	10.5	12.2	15.2	14.4	16
2	2.01	790	760	CFM	3,222	2,850	2,370	1,607	1,733	1,802	2,483	1,648	2,149
				Sones	13.5	11.2	9.7	9.6	10.5	12.2	15.2	14.4	16