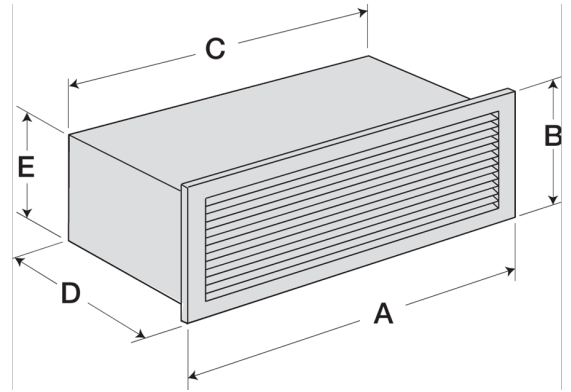


Wall Louvered Discharge, Model WL-10x3, For Models SP/CSP



Wall louvered discharge with anodized aluminum grille designed for exterior applications. Units feature built-in damper to eliminate backdrafts.

Certifications



Performance Characteristics

No Fan Curve Available.