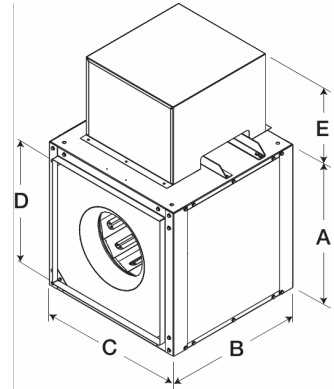


Centrifugal Inline Fan, Model BSQ-240, Belt Drive, Less Motor & Drive Package, 2947-9814 CFM



Model BSQ centrifugal inline fan features a unique combination of installation flexibility, rugged construction, ease of service, high efficiency and low sound levels. These compact fans are the ideal selection for indoor clean air applications including intake, exhaust, return or make-up air.

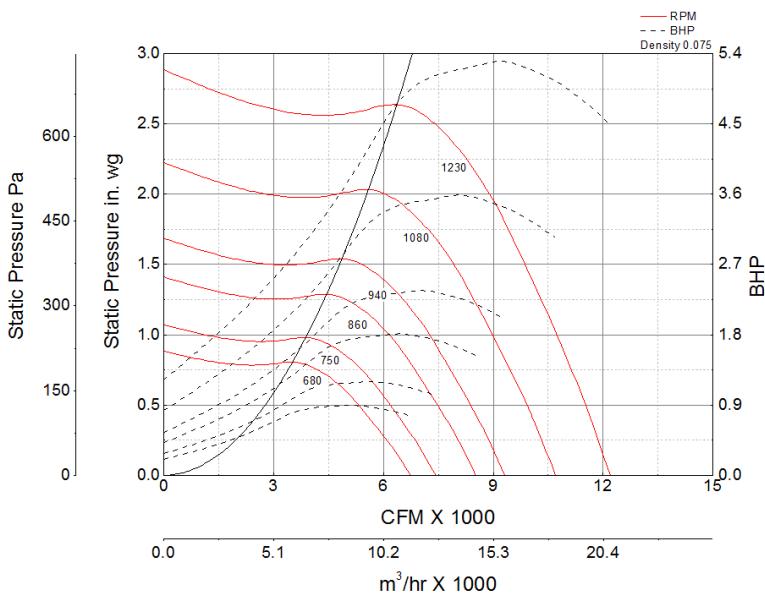
- 34.875 x 34.875 inch inlet width x height
- 34.875 x 34.875 inch outlet width x height
- Multiple motor and drive options available to meet any performance and application need



Certifications

AMCA Sound & Air
UL/cUL 705

Performance Characteristics



Construction Features

Drive Type	Belt Drive
Impeller Type	Centrifugal Wheel
Impeller Material	Aluminum
Housing Material	Galvanized Steel
Includes	Motor cover
Certifications	AMCA Sound & Air
Certifications	UL/cUL 705
Drive Package Description	No drive package included

Motor Information

Motor Included	No
----------------	----

Air and Sound Performance

Motor HP	Max BHP	Max Fan RPM	Min Fan RPM	Ps (in. wg)	0	0.125	0.25	0.375	0.5	0.625	0.75	0.875	1	1.25	1.5	1.75	2	2.25	2.5
3/4	0.47	550	500	CFM	5,452	5,063	4,608	4,095	3,259	4,847	4,198	4,825	6,128	4,826	5,215	7,181	5,836	8,241	7,293
				Sones	12.2	11.8	11.3	10.8	10.3	13	12.4	13.9	17.4	16.4	18.4	22	21	27	26
3/4	0.89	680	550	CFM	5,452	5,063	4,608	4,095	3,259	4,847	4,198	4,825	6,128	4,826	5,215	7,181	5,836	8,241	7,293
				Sones	12.2	11.8	11.3	10.8	10.3	13	12.4	13.9	17.4	16.4	18.4	22	21	27	26
1	0.31	480	430	CFM	5,452	5,063	4,608	4,095	3,259	4,847	4,198	4,825	6,128	4,826	5,215	7,181	5,836	8,241	7,293
				Sones	12.2	11.8	11.3	10.8	10.3	13	12.4	13.9	17.4	16.4	18.4	22	21	27	26
1	0.61	600	480	CFM	5,452	5,063	4,608	4,095	3,259	4,847	4,198	4,825	6,128	4,826	5,215	7,181	5,836	8,241	7,293
				Sones	12.2	11.8	11.3	10.8	10.3	13	12.4	13.9	17.4	16.4	18.4	22	21	27	26
1	1.19	750	600	CFM	5,452	5,063	4,608	4,095	3,259	4,847	4,198	4,825	6,128	4,826	5,215	7,181	5,836	8,241	7,293
				Sones	12.2	11.8	11.3	10.8	10.3	13	12.4	13.9	17.4	16.4	18.4	22	21	27	26
1 1/2	0.93	690	570	CFM	5,452	5,063	4,608	4,095	3,259	4,847	4,198	4,825	6,128	4,826	5,215	7,181	5,836	8,241	7,293
				Sones	12.2	11.8	11.3	10.8	10.3	13	12.4	13.9	17.4	16.4	18.4	22	21	27	26
1 1/2	1.81	860	690	CFM	5,452	5,063	4,608	4,095	3,259	4,847	4,198	4,825	6,128	4,826	5,215	7,181	5,836	8,241	7,293
				Sones	12.2	11.8	11.3	10.8	10.3	13	12.4	13.9	17.4	16.4	18.4	22	21	27	26
2	1.24	760	650	CFM	5,452	5,063	4,608	4,095	3,259	4,847	4,198	4,825	6,128	4,826	5,215	7,181	5,836	8,241	7,293
				Sones	12.2	11.8	11.3	10.8	10.3	13	12.4	13.9	17.4	16.4	18.4	22	21	27	26
2	2.35	940	760	CFM	5,452	5,063	4,608	4,095	3,259	4,847	4,198	4,825	6,128	4,826	5,215	7,181	5,836	8,241	7,293
				Sones	12.2	11.8	11.3	10.8	10.3	13	12.4	13.9	17.4	16.4	18.4	22	21	27	26
3	1.87	870	720	CFM	5,452	5,063	4,608	4,095	3,259	4,847	4,198	4,825	6,128	4,826	5,215	7,181	5,836	8,241	7,293
				Sones	12.2	11.8	11.3	10.8	10.3	13	12.4	13.9	17.4	16.4	18.4	22	21	27	26
3	3.57	1080	870	CFM	5,452	5,063	4,608	4,095	3,259	4,847	4,198	4,825	6,128	4,826	5,215	7,181	5,836	8,241	7,293
				Sones	12.2	11.8	11.3	10.8	10.3	13	12.4	13.9	17.4	16.4	18.4	22	21	27	26
5	2.75	990	820	CFM	5,452	5,063	4,608	4,095	3,259	4,847	4,198	4,825	6,128	4,826	5,215	7,181	5,836	8,241	7,293
				Sones	12.2	11.8	11.3	10.8	10.3	13	12.4	13.9	17.4	16.4	18.4	22	21	27	26
5	5.28	1230	990	CFM	5,452	5,063	4,608	4,095	3,259	4,847	4,198	4,825	6,128	4,826	5,215	7,181	5,836	8,241	7,293
				Sones	12.2	11.8	11.3	10.8	10.3	13	12.4	13.9	17.4	16.4	18.4	22	21	27	26



- Greenheck Fan Corporation certifies that the model shown herein is licensed to bear the AMCA Seal. The ratings shown are based on tests and procedures performed in accordance with AMCA Publication 211 and AMCA Publication 311 and comply with the requirements of the AMCA Certified Ratings Program.
- Performance certified is for installation type B: Free inlet, Ducted outlet.
- Power rating (BHP/kW) includes transmission losses.
- Performance ratings do not include the effects of appurtenances (accessories).
- The inlet sound ratings shown are loudness values in fan sones at 5 ft. (1.5 m) in a hemispherical free field calculated per AMCA Standard 301. Values shown are for installation type B: free inlet hemispherical sone levels.