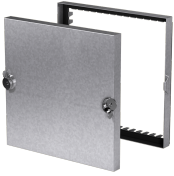


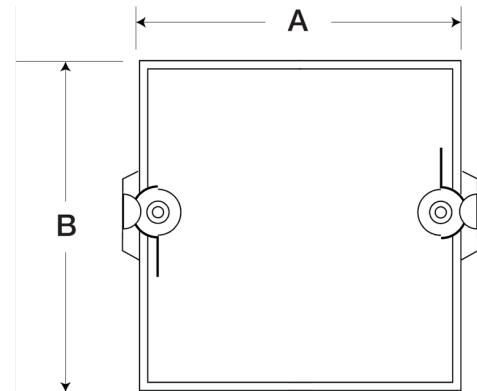
## Cam style access door, 14 In Sq



Access doors are designed for use in low to medium pressure duct systems. They provide a durable, practical, and inexpensive means of gaining access to damper components inside the ductwork.

- Plated steel latches with galvanized steel strikes
- 13.25 x 13.25 inch recommended duct opening

### Certifications



### Performance Characteristics

No Fan Curve Available.

### Construction Features

Frame Material	Galvanized Steel
Door Panel Construction	Galvanized Steel
Insulation	1 in fiberglass