

## Square Centrifugal Inline Fan, Product # BSQ-180-LMDX-QD, 1907-5414 CFM

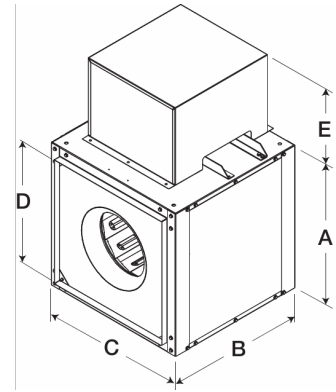


Model BSQ centrifugal inline fan features a unique combination of installation flexibility, rugged construction, ease of service, high efficiency and low sound levels. These compact fans are the ideal selection for indoor clean air applications including intake, exhaust, return or make-up air.

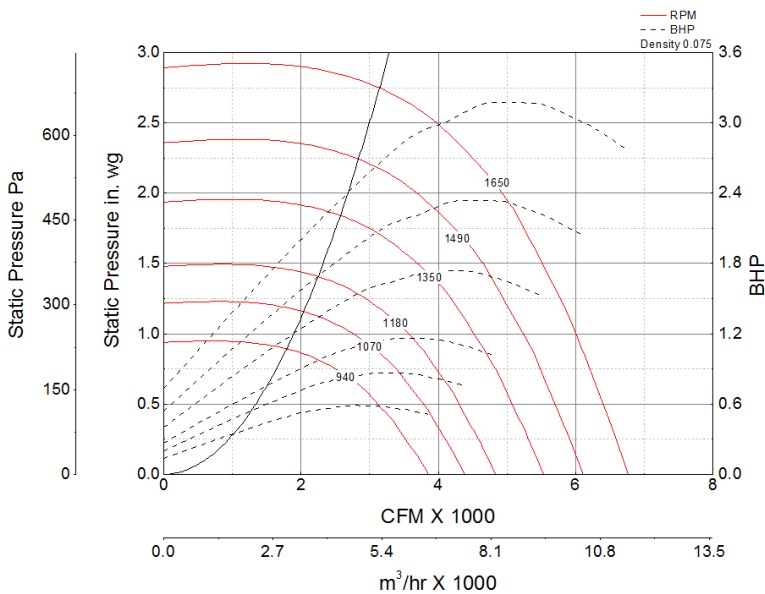
- 23.875 x 23.875 inch inlet width x height
- 23.875 x 23.875 inch outlet width x height
- Multiple motor and drive options available to meet any performance and application need

### Certifications

AMCA Sound & Air  
UL/cUL 705



### Performance Characteristics



Note: The maximum FRPM for each motor horsepower is shown. For additional performance ranges available for this fan, refer to the performance table.

### Construction Features

Drive Type	Belt Drive
Impeller Type	Centrifugal Wheel
Impeller Material	Aluminum
Housing Material	Galvanized Steel
Includes	Motor cover
Certifications	AMCA Sound & Air
Certifications	UL/cUL 705
Drive Package Description	No drive package included

### Motor Information

Motor Included	No
----------------	----

## Air and Sound Performance

Motor HP	Max BHP	Max Fan RPM	Min Fan RPM	Ps (in. wg)	0	0.125	0.25	0.375	0.5	0.625	0.75	0.875	1	1.25	1.5	1.75	2	2.25	2.5
1/2	0.16	610	590	CFM	2,502	2,244	1,907	2,406	1,973	2,858	2,491	1,909	2,750	2,925	3,689	2,985	3,674	4,491	3,949
				Sones	8	7.4	7.4	10	9.2	12.1	11.6	11.1	13.6	14.8	17.8	16.8	19.7	24	23
1/2	0.31	760	610	CFM	2,502	2,244	1,907	2,406	1,973	2,858	2,491	1,909	2,750	2,925	3,689	2,985	3,674	4,491	3,949
				Sones	8	7.4	7.4	10	9.2	12.1	11.6	11.1	13.6	14.8	17.8	16.8	19.7	24	23
1/2	0.59	940	760	CFM	2,502	2,244	1,907	2,406	1,973	2,858	2,491	1,909	2,750	2,925	3,689	2,985	3,674	4,491	3,949
				Sones	8	7.4	7.4	10	9.2	12.1	11.6	11.1	13.6	14.8	17.8	16.8	19.7	24	23
3/4	0.45	860	710	CFM	2,502	2,244	1,907	2,406	1,973	2,858	2,491	1,909	2,750	2,925	3,689	2,985	3,674	4,491	3,949
				Sones	8	7.4	7.4	10	9.2	12.1	11.6	11.1	13.6	14.8	17.8	16.8	19.7	24	23
3/4	0.86	1070	860	CFM	2,502	2,244	1,907	2,406	1,973	2,858	2,491	1,909	2,750	2,925	3,689	2,985	3,674	4,491	3,949
				Sones	8	7.4	7.4	10	9.2	12.1	11.6	11.1	13.6	14.8	17.8	16.8	19.7	24	23
1	0.60	950	760	CFM	2,502	2,244	1,907	2,406	1,973	2,858	2,491	1,909	2,750	2,925	3,689	2,985	3,674	4,491	3,949
				Sones	8	7.4	7.4	10	9.2	12.1	11.6	11.1	13.6	14.8	17.8	16.8	19.7	24	23
1	1.16	1180	950	CFM	2,502	2,244	1,907	2,406	1,973	2,858	2,491	1,909	2,750	2,925	3,689	2,985	3,674	4,491	3,949
				Sones	8	7.4	7.4	10	9.2	12.1	11.6	11.1	13.6	14.8	17.8	16.8	19.7	24	23
1 1/2	0.89	1080	890	CFM	2,502	2,244	1,907	2,406	1,973	2,858	2,491	1,909	2,750	2,925	3,689	2,985	3,674	4,491	3,949
				Sones	8	7.4	7.4	10	9.2	12.1	11.6	11.1	13.6	14.8	17.8	16.8	19.7	24	23
1 1/2	1.74	1350	1080	CFM	2,502	2,244	1,907	2,406	1,973	2,858	2,491	1,909	2,750	2,925	3,689	2,985	3,674	4,491	3,949
				Sones	8	7.4	7.4	10	9.2	12.1	11.6	11.1	13.6	14.8	17.8	16.8	19.7	24	23
2	1.22	1200	1030	CFM	2,502	2,244	1,907	2,406	1,973	2,858	2,491	1,909	2,750	2,925	3,689	2,985	3,674	4,491	3,949
				Sones	8	7.4	7.4	10	9.2	12.1	11.6	11.1	13.6	14.8	17.8	16.8	19.7	24	23
2	2.33	1490	1200	CFM	2,502	2,244	1,907	2,406	1,973	2,858	2,491	1,909	2,750	2,925	3,689	2,985	3,674	4,491	3,949
				Sones	8	7.4	7.4	10	9.2	12.1	11.6	11.1	13.6	14.8	17.8	16.8	19.7	24	23
3	1.62	1320	1180	CFM	2,502	2,244	1,907	2,406	1,973	2,858	2,491	1,909	2,750	2,925	3,689	2,985	3,674	4,491	3,949
				Sones	8	7.4	7.4	10	9.2	12.1	11.6	11.1	13.6	14.8	17.8	16.8	19.7	24	23
3	3.17	1650	1320	CFM	2,502	2,244	1,907	2,406	1,973	2,858	2,491	1,909	2,750	2,925	3,689	2,985	3,674	4,491	3,949
				Sones	8	7.4	7.4	10	9.2	12.1	11.6	11.1	13.6	14.8	17.8	16.8	19.7	24	23



- Greenheck Fan Corporation certifies that the model shown herein is licensed to bear the AMCA Seal. The ratings shown are based on tests and procedures performed in accordance with AMCA Publication 211 and AMCA Publication 311 and comply with the requirements of the AMCA Certified Ratings Program.
- Performance certified is for installation type B: Free inlet, Ducted outlet.
- Power rating (BHP/kW) includes transmission losses.
- Performance ratings do not include the effects of appurtenances (accessories).
- The inlet sound ratings shown are loudness values in fan sones at 5 ft. (1.5 m) in a hemispherical free field calculated per AMCA Standard 301. Values shown are for installation type B: free inlet hemispherical sone levels.