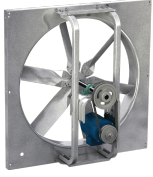
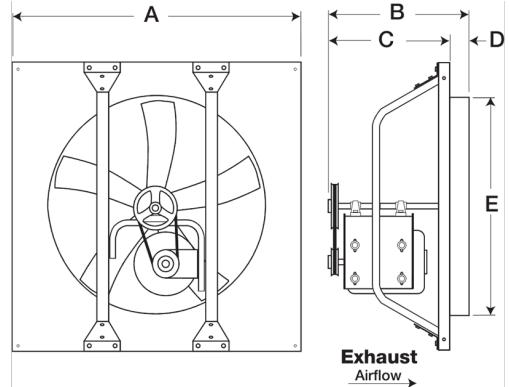


Sidewall Propeller Exhaust Fan, Model SBE-1H24, Belt Drive, 1/2HP, 208-230/460V, 3Ph, Motor & Drives Unassembled, 904-5281 CFM

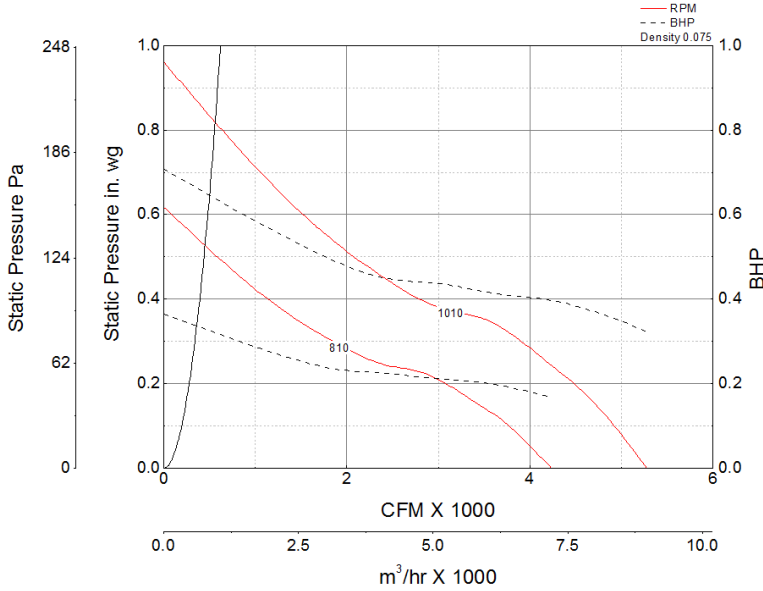


- Model SBE, belt drive, sidewall propeller exhaust fans are designed for commercial and industrial applications where high volumes of air and low static pressures are required.
- 32 x 32 inch fan panel with prepunched mounting holes for easy installation and precise alignment
 - 24 inch, 6-blade galvanized steel propeller
 - Adjustable motor pulley to optimize fan performance

Certifications
AMCA Sound & Air
UL/cUL 705



Performance Characteristics



Construction Features

| | |
|---------------------------|--------------------------------|
| Drive Type | Belt Drive |
| Impeller Type | Propeller |
| Impeller Material | Galvanized Steel |
| Housing Material | Galvanized Steel |
| Includes | Unassembled drive package |
| Certifications | AMCA Sound & Air |
| Certifications | UL/cUL 705 |
| Drive Package Description | Motor and drives shipped loose |

Motor Information

| | |
|------------------|-----------------|
| Service Factor | 1.25 |
| Phase | 3 |
| Voltage | 208-230/460 |
| HP | 1/2 |
| Motor Enclosure | Open Drip Proof |
| Motor Insulation | F |
| NEMA Frame Size | 56 |

Air and Sound Performance

| Motor HP | Max BHP | Max Fan RPM | Min Fan RPM | Ps (in. wg) | 0 | 0.125 | 0.25 | 0.375 | 0.5 | 0.625 | 0.75 |
|----------|---------|-------------|-------------|-------------|-------|-------|-------|-------|-------|-------|------|
| 1/2 | 0.60 | 1010 | 810 | CFM | 5,281 | 4,819 | 4,193 | 3,093 | 2,108 | 1,439 | 904 |
| | | | | Sones | 21 | 20 | 19.8 | 19.3 | 18 | 18.3 | 18.7 |



- Greenheck Fan Corporation certifies that the model shown herein is licensed to bear the AMCA seal. The ratings shown are based on tests and procedures performed in accordance with AMCA Publication 211 and AMCA Publication 311 and comply with the requirements of the AMCA Certified Ratings Program.
- Performance certified is for installation type A: Free inlet, Free outlet.
- Power rating (Bhp/kW) includes transmission losses.
- Performance ratings do not include the effects of appurtenances (accessories).
- The sound ratings shown are loudness values in fan sones at 5 ft. (1.5 m) in a hemispherical free field calculated per AMCA Standard 301. Values shown are for installation type A: free inlet hemispherical sone levels.