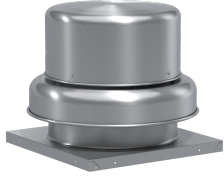
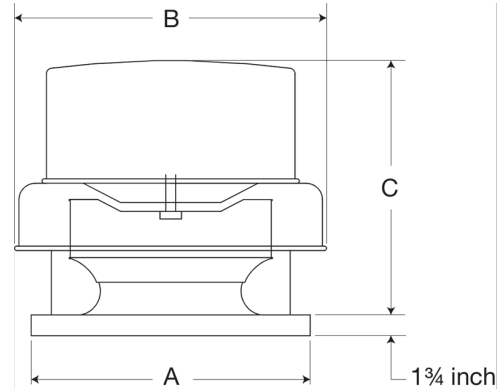


Centrifugal Downblast Exhaust Fan, Model GB-180, Belt Drive, 1/4HP, 115V, 1Ph, Motor & Drives Unassembled, 1527-2411 CFM



Model GB, belt drive centrifugal roof exhaust fans are designed to meet the general clean air exhaust requirements for industrial and commercial buildings. Units feature a fully rolled windband bead for increased stability and easy transport. Fresh outside air is drawn in under the motor cover to maximize motor life.

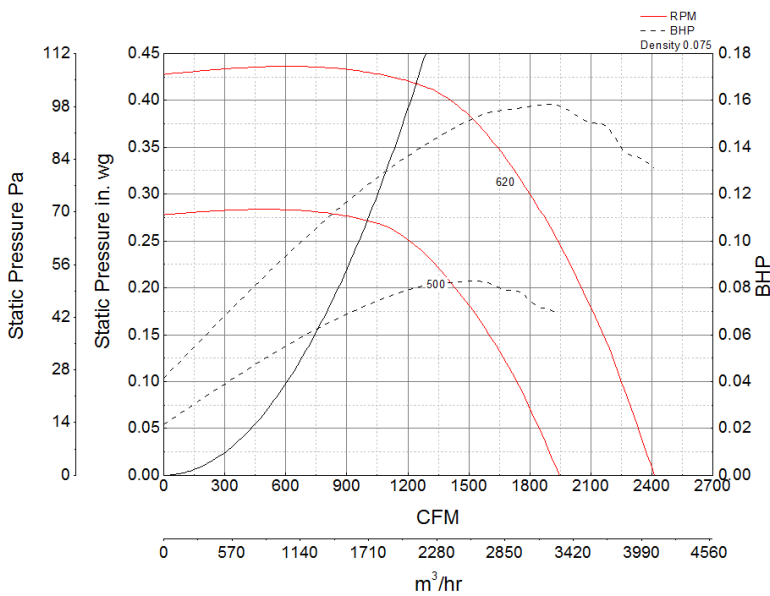
- 30 x 30 inch base with prepunched mounting holes for easy attachment to roof curb
- Variable pitch adjustable motor pulley to optimize fan performance
- 26.5 x 26.5 inch recommended roof opening



Certifications

AMCA Sound & Air
High Wind and Hurricane
Seismic
UL/cUL 705

Performance Characteristics



Construction Features

| | |
|---------------------------|---------------------------------|
| Drive Type | Belt Drive |
| Impeller Type | Centrifugal Wheel |
| Impeller Material | Aluminum |
| Housing Material | Spun Aluminum |
| Includes | Unassembled drive package |
| Certifications | AMCA Sound & Air |
| Certifications | High Wind and Hurricane |
| Certifications | Seismic |
| Certifications | UL/cUL 705 |
| Drive Package Description | Motor and drives shipped loose |
| Required Accessory | Roof curb for new installations |

Air and Sound Performance

| Motor HP | Max BHP | Max Fan RPM | Min Fan RPM | Ps (in. wg) | 0 | 0.125 | 0.25 | 0.375 |
|----------|---------|-------------|-------------|-------------|-------|-------|-------|-------|
| 1/4 | 0.16 | 620 | 500 | CFM | 2,411 | 2,207 | 1,936 | 1,527 |
| | | | | Sones | 5.9 | 6.9 | 6.8 | 5.5 |



- Greenheck Fan Corporation certifies that the model shown herein is licensed to bear the AMCA Seal. The ratings shown are based on tests and procedures performed in accordance with AMCA Publication 211 and AMCA Publication 311 and comply with the requirements of the AMCA Certified Ratings Program.
- Performance certified is for installation type A: Free inlet, Free outlet.
- Power rating (BHP/kW) includes transmission losses.
- Performance ratings include the effects of birdscreen.
- The sound ratings shown are loudness values in fan sones at 5 ft. (1.5 m) in a hemispherical free field calculated per AMCA Standard 301. Values shown are for installation type A: free inlet hemispherical sone levels.