

Centrifugal Upblast Exhaust Fan, Product # CUE-140-7VG122GQD, 851-2808 CFM

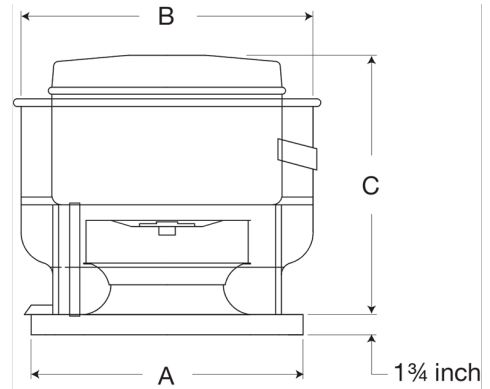


Model CUE is a direct drive exhaust fan specifically designed for roof or sidewall mounted applications discharging the air directly upward, away from the roof or wall surface. The fans feature a one piece windband continuously welded to curb cap and double studded isolators for true vibration isolation.

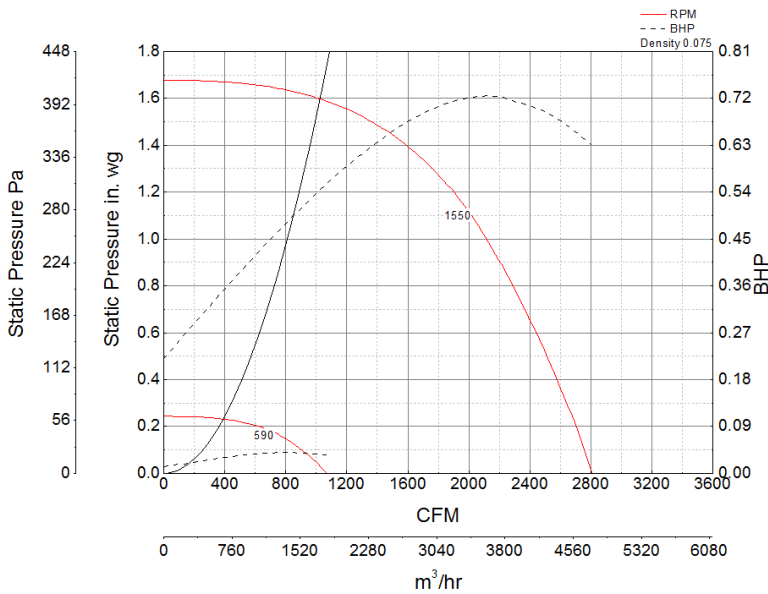
- 22 x 22 inch base with prepunched mounting holes for easy attachment to roof curb
- Energy-efficient, speed controllable, Vari-green® motor
- Roof or wall mountable

Certifications

AMCA Sound & Air
UL/cUL 705 Listed - Supplement SC - "Power Ventilators for Restaurant Exh. Appliances" (Formerly UL 762)



Performance Characteristics



Construction Features

Drive Type	Direct Drive
Impeller Type	Centrifugal Wheel
Impeller Material	Aluminum
Housing Material	Spun Aluminum
Includes	Motor mounted potentiometer
Certifications	AMCA Sound & Air
Certifications	UL/cUL 705 Listed - Supplement SC - "Power Ventilators for Restaurant Exh. Appliances" (Formerly UL 762)
Speed Controllable	Yes
Required Accessory	Roof curb for new roof installations

Motor Information

Service Factor	1
Phase	1
Voltage	115/208-230
HP	3/4
Motor Enclosure	n/a
Motor Insulation	B
Thermal Protection	AutoOverload

Air and Sound Performance

Motor HP	Max BHP	Max Fan RPM	Min Fan RPM	P _s (in. wg)	0	0.125	0.25	0.375	0.5	0.625	0.75	0.875	1	1.25	1.5
3/4	0.72	1550	590	CFM	2,808	2,743	2,671	2,594	2,509	2,422	2,329	2,226	2,110	1,823	1,349
				Sones	18.7	17.8	17.5	17.7	14.9	13.5	12.9	12.3	12.5	11.6	10.2