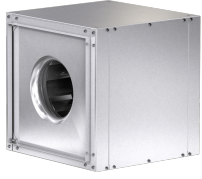
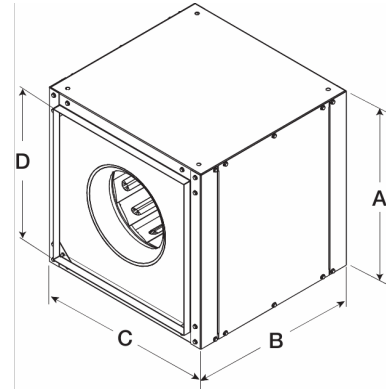


# Centrifugal Inline Fan, Variable Speed, Model SQ-90, Direct Drive, Vari-Green EC motor, 1/10HP, 115/208-230V, 1Ph, 188-821 CFM



Model SQ, direct drive centrifugal inline fans feature a unique combination of installation flexibility, rugged construction, ease of service, high efficiency and low sound levels. These compact fans are ideal for indoor clean air applications including exhaust, return or make-up where space is a prime consideration.

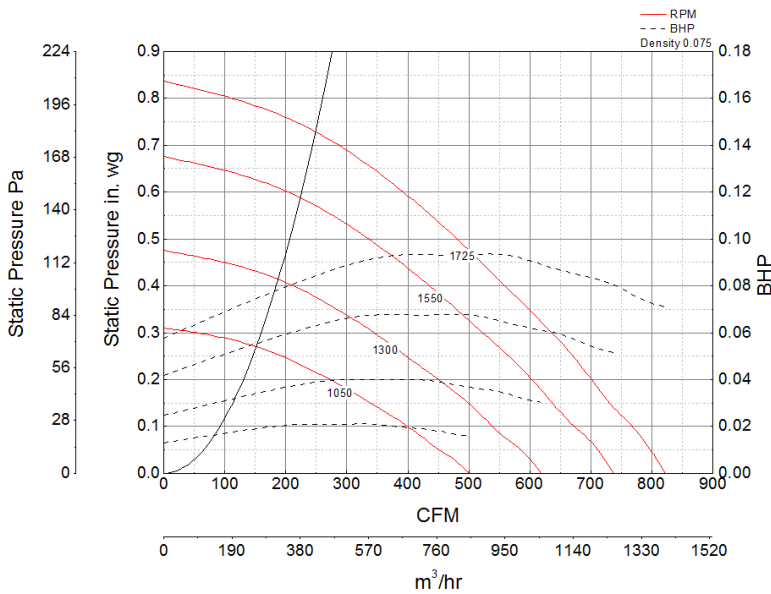
- Compact size for height-restricted areas
- Composite backward inclined, non-overloading centrifugal wheel design
- Energy efficient, Vari-Green motor for maximum motor controllability.
- Inlet and discharge duct collars for easy duct connection
- Removable access panels permit easy access to interior components for cleaning and servicing



### Certifications

UL/cUL 705  
AMCA Sound & Air Performance

### Performance Characteristics



### Construction Features

|                    |                              |
|--------------------|------------------------------|
| Drive Type         | Direct Drive                 |
| Impeller Type      | Centrifugal Wheel            |
| Impeller Material  | Aluminum                     |
| Housing Material   | Galvanized Steel             |
| Includes           | Disconnect switch            |
| Includes           | Access Panel                 |
| Certifications     | UL/cUL 705                   |
| Certifications     | AMCA Sound & Air Performance |
| Speed Controllable | Yes                          |

### Motor Information

|                    |              |
|--------------------|--------------|
| Service Factor     | 1            |
| Phase              | 1            |
| Voltage            | 230          |
| Voltage            | 277          |
| Voltage            | 115          |
| Voltage            | 208          |
| HP                 | 1/10         |
| Motor Enclosure    | n/a          |
| Motor Insulation   | B            |
| Thermal Protection | AutoOverload |

### Air and Sound Performance

| Motor HP | Max BHP | Max Fan RPM | Min Fan RPM | Ps (in. wg) | 0   | 0.125 | 0.25 | 0.375 | 0.5 | 0.625 |
|----------|---------|-------------|-------------|-------------|-----|-------|------|-------|-----|-------|
| 1/10     | 0.02    | 1050        | 0           | CFM         | 500 | 370   | 188  | 245   | 334 | 366   |
|          |         |             |             | Sones       | 4   | 3.9   | 4.1  | 5.5   | 7.4 | 8.9   |
| 1/10     | 0.04    | 1300        | 0           | CFM         | 500 | 370   | 188  | 245   | 334 | 366   |
|          |         |             |             | Sones       | 4   | 3.9   | 4.1  | 5.5   | 7.4 | 8.9   |
| 1/10     | 0.07    | 1550        | 0           | CFM         | 500 | 370   | 188  | 245   | 334 | 366   |
|          |         |             |             | Sones       | 4   | 3.9   | 4.1  | 5.5   | 7.4 | 8.9   |
| 1/10     | 0.09    | 1725        | 0           | CFM         | 500 | 370   | 188  | 245   | 334 | 366   |
|          |         |             |             | Sones       | 4   | 3.9   | 4.1  | 5.5   | 7.4 | 8.9   |



- Greenheck Fan Corporation certifies that the model shown herein is licensed to bear the AMCA Seal. The ratings shown are based on tests and procedures performed in accordance with AMCA Publication 211 and AMCA Publication 311 and comply with the requirements of the AMCA Certified Ratings Program.
- Performance certified is for installation type B: Free inlet, Ducted outlet.
- Power rating (BHP/kW) does not include transmission losses.
- Performance ratings do not include the effects of appurtenances (accessories).
- The inlet sound ratings shown are loudness values in fan sones at 5 ft. (1.5 m) in a hemispherical free field calculated per AMCA Standard 301. Values shown are for installation type B: free inlet hemispherical sone levels.