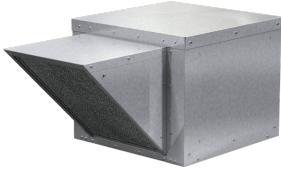


Centrifugal Supply Fan, Model SAF-112, Belt Drive, 1 1/2HP, 115/208-230V, 1Ph, Motor & Drives Unassembled, 1648-4660 CFM

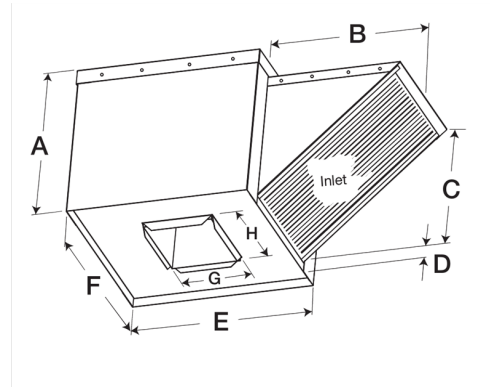


Model SAF is a filtered supply fan designed to provide non-tempered make-up air to commercial or industrial buildings, including commercial kitchen applications. Fresh outdoor air is supplied to replace air lost through hood exhaust or general building ventilation.

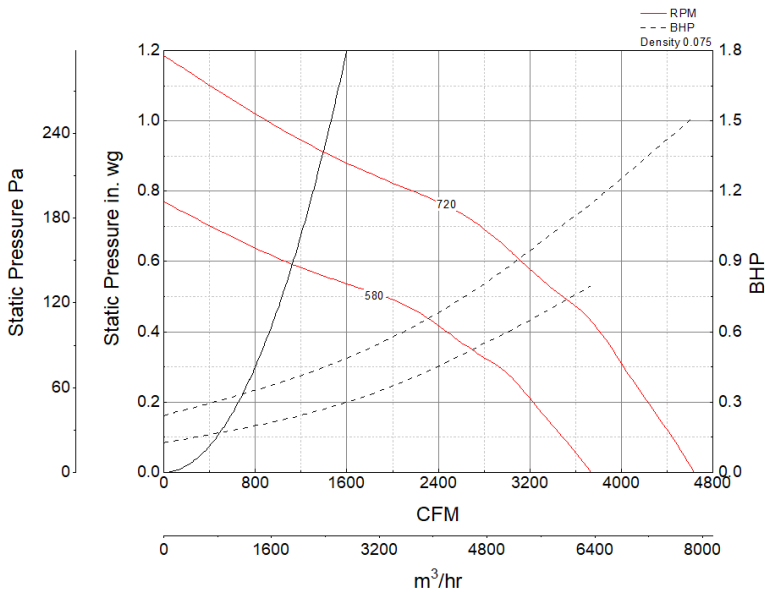
- 34.5 x 34.5 inch base with prepunched mounting holes for easy attachment to roof curb
- Permanent washable aluminum filters allow for many years of reliable use
- 26.5 x 26.5 inch recommended roof opening

Certifications

AMCA Sound & Air
UL/cUL 705



Performance Characteristics



Construction Features

| | |
|---------------------------|--------------------------------------|
| Drive Type | Belt Drive |
| Impeller Type | Forward Curved Wheel |
| Impeller Material | Aluminum |
| Housing Material | Galvanized Steel |
| Includes | Access Panels |
| Includes | Unassembled drive package |
| Includes | Washable, aluminum 1-inch filters |
| Certifications | AMCA Sound & Air |
| Certifications | UL/cUL 705 |
| Drive Package Description | Motor and drives shipped loose |
| Required Accessory | Roof curb for new roof installations |

Motor Information

| | |
|--------------------|-----------------|
| Phase | 1 |
| Voltage | 115/208-230 |
| HP | 1 1/2 |
| Motor Enclosure | Open Drip Proof |
| Motor Insulation | B |
| Thermal Protection | AutoOverload |

Air and Sound Performance

| Motor HP | Max BHP | Max Fan RPM | Min Fan RPM | Ps (in. wg) | 0 | 0.125 | 0.25 | 0.375 | 0.5 | 0.625 | 0.75 | 0.875 |
|----------|---------|-------------|-------------|-------------|-------|-------|-------|-------|-------|-------|-------|-------|
| 1 1/2 | 1.52 | 720 | 580 | CFM | 4,640 | 4,391 | 4,124 | 3,860 | 3,478 | 3,042 | 2,483 | 1,648 |
| | | | | Sones | 24 | 23 | 21 | 20 | 18.4 | 16.6 | 15.2 | 14.4 |