

## Inline-direct drive, VariGreen EC, insulation, 1/6HP 115V/1ph

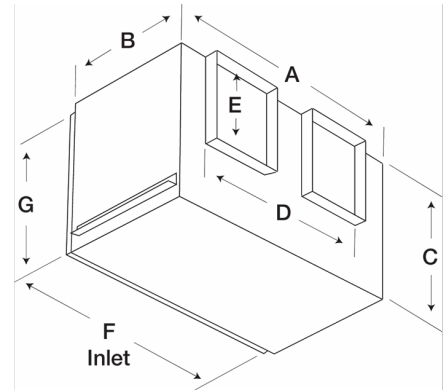


Model CSP inline fans are high performance fans designed for exhaust, supply or return air applications where low sound level are required. Units feature an insulated, galvanized steel housing with a forward-curved wheel.

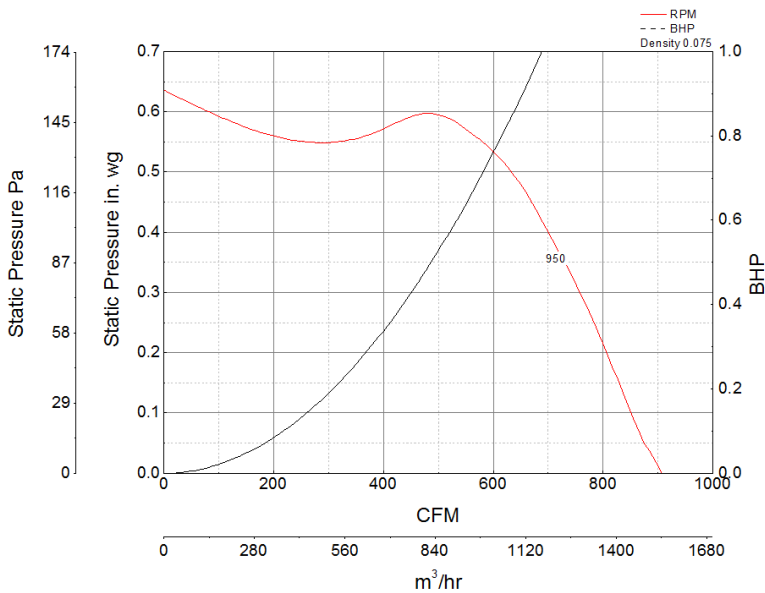
- 22.625 x 13.25 inch inlet width x height
- 17.4375 x 8 inch outlet width x height
- Speed controllable, with up to 30% turndown

### Certifications

AMCA Air  
UL/cUL 507



### Performance Characteristics



### Construction Features

Drive Type	Direct Drive
Impeller Type	Centrifugal Wheel
Impeller Material	Polypropylene
Housing Material	Galvanized Steel
Includes	Access Panel
Includes	Backdraft damper
Includes	Mounting brackets
Certifications	AMCA Air
Certifications	UL/cUL 507
Speed Controllable	Yes

### Motor Information

Service Factor	1
Phase	1
Voltage	115
Motor Enclosure	n/a
Motor Insulation	B
Thermal Protection	AutoOverload
Watts	93

### Air and Sound Performance

Watts	Max Fan RPM	Min Fan RPM	Ps (in. wg)	0	0.125	0.25	0.375	0.5
335	950	760	CFM	908	841	782	715	631
			Sones	2	2	2.4	3	3.6