

Bracket, I-Beam Mounting, For Models IC 16-30

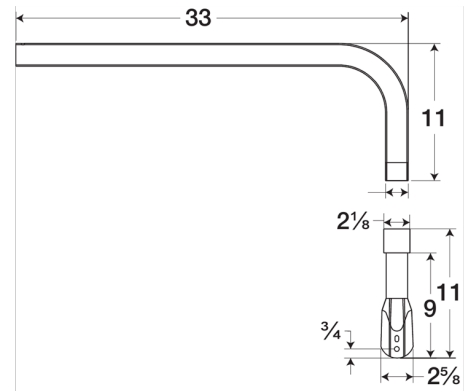


The I-beam bracket is designed to mount non-oscillating air circulators from ceiling rafters and beams. Includes a removable yoke adapter to add additional length if required.

Certifications

Performance Characteristics

No Fan Curve Available.



Construction Features

Includes	Assembly hardware
Includes	Secondary safety support cable