

## Centrifugal Upblast Exhaust Fan, Variable Speed, Model CUE-090, Direct Drive, Vari-Green EC motor, 1/10HP, 115/208-230V, 1Ph, 306-903 CFM

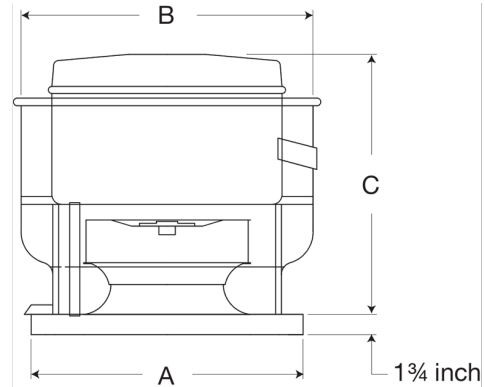


Model CUE is a direct drive exhaust fan specifically designed for roof or sidewall mounted applications discharging the air directly upward, away from the roof or wall surface. The fans feature a one piece windband continuously welded to curb cap and double studded isolators for true vibration isolation.

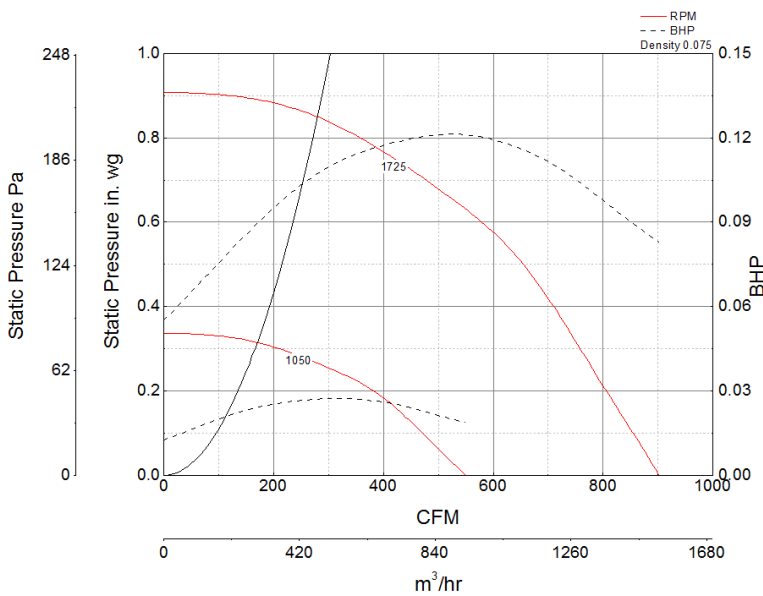
- 19 x 19 inch base with prepunched mounting holes for easy attachment to roof curb
- Energy-efficient, speed controllable, Vari-green® motor
- Roof or wall mountable

### Certifications

AMCA Sound & Air  
UL/cUL 705



### Performance Characteristics



### Construction Features

Drive Type	Direct Drive
Impeller Type	Centrifugal Wheel
Impeller Material	Composite
Housing Material	Spun Aluminum
Includes	Motor mounted potentiometer
Certifications	AMCA Sound & Air
Certifications	UL/cUL 705
Speed Controllable	Yes
Required Accessory	Roof curb for new roof installations

### Motor Information

Service Factor	1
Phase	1
Voltage	115
Voltage	208
Voltage	230
Voltage	277
HP	1/10
Motor Enclosure	n/a
Motor Insulation	B
Thermal Protection	AutoOverload

### Air and Sound Performance

Motor HP	Max BHP	Max Fan RPM	Min Fan RPM	Ps (in. wg)	0	0.125	0.25	0.375	0.5	0.625	0.75
1/10	0.12	1725	1050	CFM	903	842	782	722	652	553	420
				Sones	8.8	8.8	8.8	8.8	8.8	8.9	9



- Greenheck Fan Corporation certifies that the model shown herein is licensed to bear the AMCA Seal. The ratings shown are based on tests and procedures performed in accordance with AMCA Publication 211 and AMCA Publication 311 and comply with the requirements of the AMCA Certified Ratings Program.
- Performance certified is for installation type A: Free inlet, Free outlet.
- Power rating (BHP/kW) does not include transmission losses.
- Performance ratings do not include the effects of appurtenances (accessories).
- The sound ratings shown are loudness values in fan sones at 5 ft. (1.5 m) in a hemispherical free field calculated per AMCA Standard 301. Values shown are for installation type A: free inlet hemispherical sone levels.