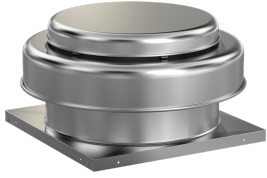


Axial Roof Exhaust Fan, Model AE-16, Direct Drive, 1/2HP, 115/230V, 1Ph, 934-3068 CFM

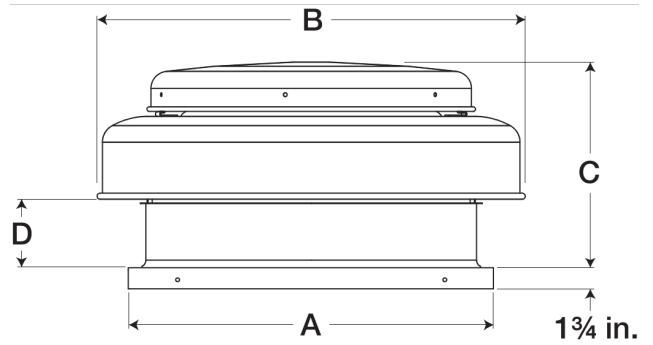


Model AE, direct drive axial exhaust fan is designed for economy and reliability in low pressure/low volume applications. Typical applications include general clean air ventilation.

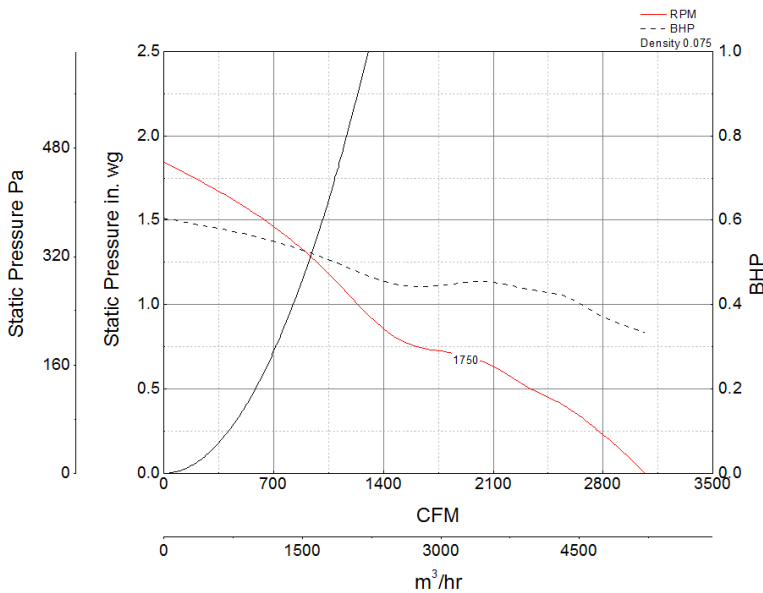
- 26 x 26 inch base with prepunched mounting holes for easy attachment to roof curb
- 16 inch fabricated aluminum propeller designed for low sound levels
- 18.5 x 18.5 inch recommended roof opening

Certifications

AMCA Sound & Air
UL/cUL 705



Performance Characteristics



Construction Features

Drive Type	Direct Drive
Impeller Type	Propeller
Impeller Material	Aluminum
Housing Material	Spun Aluminum
Includes	Birdscreen
Certifications	AMCA Sound & Air
Certifications	UL/cUL 705
Speed Controllable	Yes
Required Accessory	Roof Curb

Motor Information

Service Factor	1
Phase	1
Voltage	115/230
HP	1/2
Motor Enclosure	Open Drip Proof
Motor Insulation	B
Thermal Protection	AutoOverload

NEMA Frame Size 48

Air and Sound Performance

Motor HP	Max BHP	Max Fan RPM	Min Fan RPM	Ps (in. wg)	0	0.125	0.25	0.375	0.5	0.625	0.75	0.875	1	1.25
1/2	0.52	1750	0	CFM	3,068	2,928	2,771	2,590	2,339	2,112	1,686	1,398	1,257	934
				Sones	17.9	17.1	16.1	15.7	15.5	14.9	25	24	21	17.1



- Greenheck Fan Corporation certifies that the model shown herein is licensed to bear the AMCA Seal. The ratings shown are based on tests and procedures performed in accordance with AMCA Publication 211 and AMCA Publication 311 and comply with the requirements of the AMCA Certified Ratings Program.
- Performance certified is for installation type A: Free inlet, Free outlet.
- Power rating (BHP/kW) does not include transmission losses.
- Performance ratings include the effects of birdscreen.
- The sound ratings shown are loudness values in fan sones at 5 ft. (1.5 m) in a hemispherical free field calculated per AMCA Standard 301. Values shown are for installation type A: free inlet hemispherical sone levels.