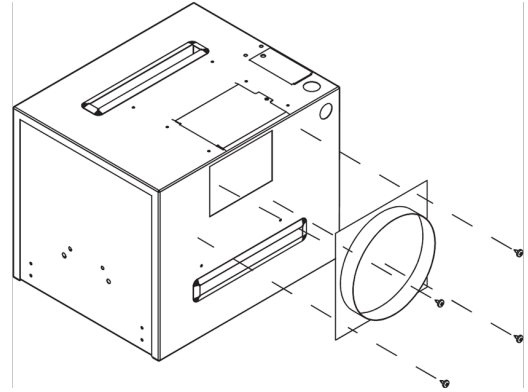

Round Duct Connector, Model RDC-8, 8 In Dia, For Models SP/CSP



Model RDC-8, round duct connector replaces the standard square discharge duct connector and damper. Constructed of galvanized steel.

Certifications



Performance Characteristics

No Fan Curve Available.