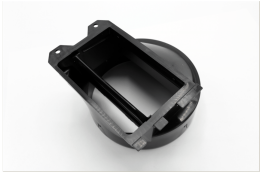
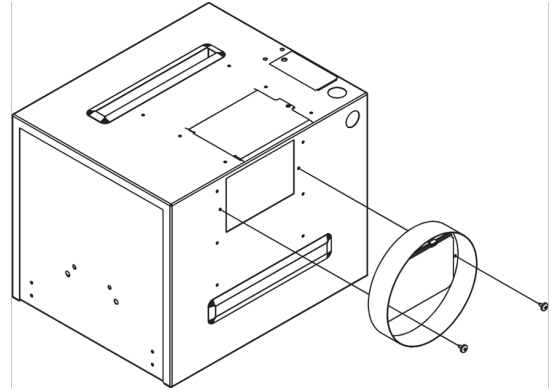

Round Duct Connector, Model RDC-6, 6 In Dia, For Models SP/CSP



The round duct connector replaces the standard square discharge duct connector and damper. Constructed of polypropylene, Model RDC-6 includes an integral damper.

Certifications



Performance Characteristics

No Fan Curve Available.